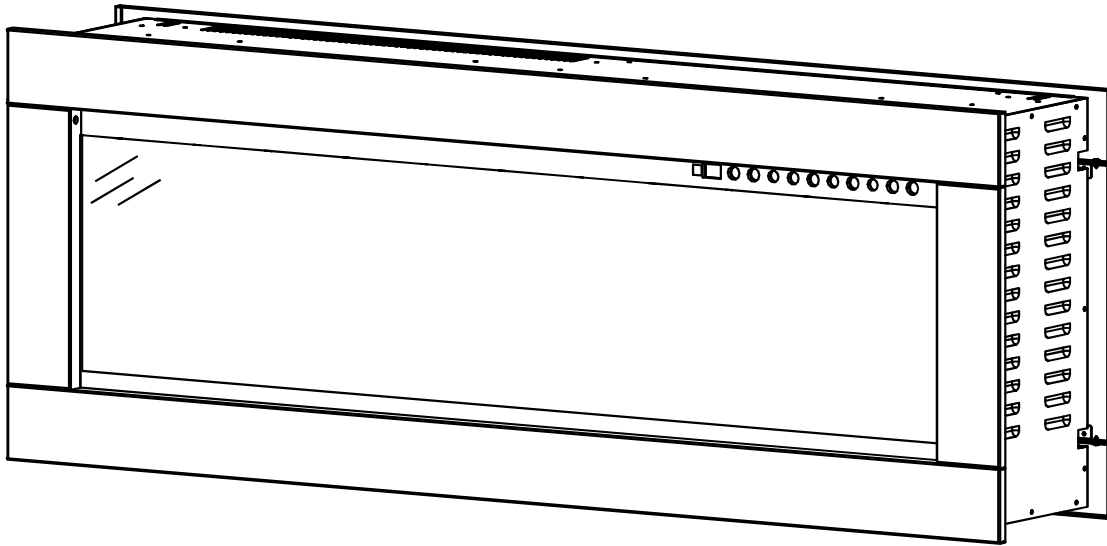




INSTALLATION AND OPERATION MANUAL

CLEARion™ Elite



SAFETY INFORMATION

⚠ WARNING

FIRE OR EXPLOSION HAZARD

If the information in these instructions are not followed exactly, a fire or explosion may result causing property damage, personal injury, or loss of life.

- Do not store or use gasoline or other flammable vapors and liquids in the vicinity of this or any other appliance.

INSTALLER:

Leave this manual with the appliance

CONSUMER:

Retain this manual for future reference

FOR INDOOR USE ONLY



www.tuv.com
ID 1419043031



Wolf Steel Europe BV
De Riemsdijk 22, 4004 LC Tiel, The Netherlands

! WARNING

- **If equipped with a heater, this appliance can be hot when operated and can cause severe burns if contacted.**
- Do not operate appliance before reading and understanding operating instructions. Failure to operate appliance according to operating instructions could cause fire or injury.
- Do not install damaged, incomplete or substitute components.
- Do not burn wood or other materials in this appliance.
- All electric appliances have hot and arcing or sparking parts inside. Do not use it in areas where a gas line, paint or flammable liquids are present.
- Any safety screen or guard removed for servicing must be replaced prior to operating the appliance.
- It is imperative that the control compartments, circulating blower and its passageway in the appliance are kept clean. The appliance should be inspected before use and at least annually by a qualified service person. More frequent cleaning may be required due to excessive lint from carpeting, bedding material, etc. The appliance area must be kept clear and free from combustible materials, gasoline and other flammable vapors and liquids.
- Under no circumstances should this appliance be modified.
- Do not use this appliance if any part has been under water. Immediately call a qualified service technician to inspect the appliance and to replace any part of the control system which has been under water.
- If equipped with a glass door, do not operate the appliance with the glass door removed, cracked or broken. Replacement of the glass should be done by a licensed or qualified service person. Do not strike or slam shut the appliance glass door.
- Keep the packaging material out of reach of children and dispose of the material in a safe manner. As with all plastic bags, these are not toys and should be kept away from children and infants.
- Servicing should be done only while the appliance is disconnected from the power supply circuit.
- Do not operate this appliance with a damaged cord or plug after the appliance malfunctions, has been dropped or damaged in any manner. Return appliance to authorized service facility for examination, electrical or mechanical adjustment, or repair.
- Do not use outdoors.
- When installing this appliance in a room where water is present, the installation must comply with codes recognizing the increased hazard of electrical shock and electrocution.

note:

This appliance is NOT suitable for installation in a bathroom.

- Connect to properly grounded circuit.
- Do not insert or allow foreign objects to enter any ventilation or exhaust opening as this may cause an electric shock or fire, or damage the appliance.
- It is normal for your electric appliance to produce noise, especially when installed in a quiet space such as a bedroom.

 **WARNING**

- To prevent a possible fire, do not block air intakes or exhaust in any manner. Do not use on soft surfaces, like a carpet, where openings may become blocked.
- These appliances are tested and listed for use only with the optional accessories listed in these instructions. Use of optional accessories not specifically tested for this appliance could void the warranty and/or result in a safety hazard.

For appliances equipped with a heater:

- Risk of burns. Power to the appliance should be turned off and the appliance allowed to cool before servicing. To disconnect power to the appliance, turn controls to off, then remove plug from outlet.
- Young children should be carefully supervised when they are in the same room as the appliance. Toddlers, young children and others may be susceptible to accidental contact burns. A physical barrier is recommended if there are at risk individuals in the house. To restrict access to an appliance or stove, install an adjustable safety gate to keep toddlers, young children and other at risk individuals out of the room and away from hot surfaces.
- Clothing or other flammable material should not be placed on or near the appliance.
- Due to high temperatures, the appliance should be located out of traffic and away from furniture and draperies.
- Ensure you have incorporated adequate safety measure to protect infants/toddlers from touching hot surfaces.
- Even after the appliance is off, the glass and/or screen will remain hot for an extended period of time.
- Check with your local hearth specialty dealer for safety screens and hearth guards to protect children from hot surfaces. These screens and guards must be fastened to the floor.
- Ensure clearances to combustibles are maintained when building a mantel or shelves above the appliance. Elevated temperatures on the wall or in the air above the appliance can cause melting, discoloration or damage to decorations, a TV or other electronic components.


 **WARNING:** This product can expose you to chemicals including lead and lead compounds, which are known to the State of California to cause cancer, and chemicals including BBP and DEHP, which are known to the State of California to cause birth defects or other reproductive harm. For more information, go to www.P65Warnings.ca.gov.

table of contents

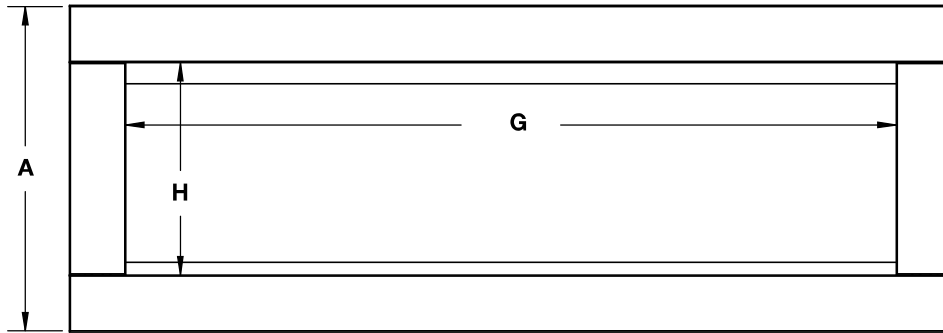
1.0	general information	5
1.1	dimensions	5
1.2	product information	6
1.3	general instructions	6
1.4	parts list	6
1.5	unpacking appliance	7
1.6	rating plate information	7
1.7	magnetic buttons	8
2.0	installation	9
2.1	locating the appliance	9
2.2	grounding the appliance	10
2.3	minimum clearance to combustibles	10
2.4	minimum mantel clearances	10
2.5	framing	11
2.6	installing the appliance	12
3.0	electrical information	14
3.1	wiring diagram	14
3.2	hard-wiring installation	15
3.3	hard-wire connection	16
4.0	finishing	17
4.1	front trim removal / installation	17
4.2	front glass removal / installation	17
4.3	media installation	18
4.3.1	river rock and driftwood log installation	18
4.3.2	white pebble installation	18
5.0	operating instructions	19
5.1	main power button	19
5.2	operating touch panel and remote control	19
5.3	timer settings on remote control	22
5.3.1	set current day and time	22
5.3.2	set ON/OFF time and temperature on a weekly cycle	22
5.4	open window warning	23
6.0	maintenance	24
6.1	cleaning	24
7.0	replacement parts	25
7.1	overview	26
8.0	accessories	27
8.1	accessories	27
9.0	troubleshooting	28
10.0	warranty	29

note:

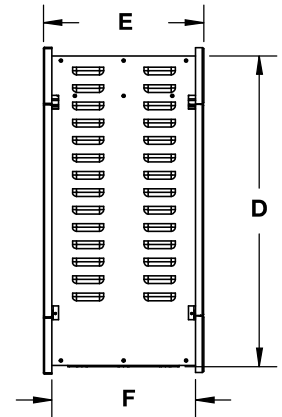
The information throughout this manual is believed to be correct at the time of printing. Wolf Steel Ltd. reserves the right to change or modify any information within this manual at any time without notice. Changes, other than editorial, are denoted by a vertical line in the margin.

1.1 dimensions

front view



right side view



top view



A	B	C	D	E	F	G	H
18 3/8" (467mm)	47 9/16" (1208mm)	50" (1270mm)	17 5/8" (447mm)	9 1/16" (231mm)	8 1/8" (207mm)	43 5/8" (1108mm)	12 1/16" (306mm)

general information

1.2 product information

This appliance has been tested in accordance with the CSA Standards for fixed and location-dedicated electric room appliances in the United States and Canada. If you need assistance during installation, please contact your local dealer.

	NEFBD50HE-EU
Description	See-Thru Electric Appliance
Type	Electric Appliance
Voltage	220 - 240V AC
Watts	1750 - 2000W
Amps	Dedicated 15 AMP Grounded Circuit
Net Weight	101.4 lbs (46kg)
Gross Weight	131.2 lbs (59.5kg)

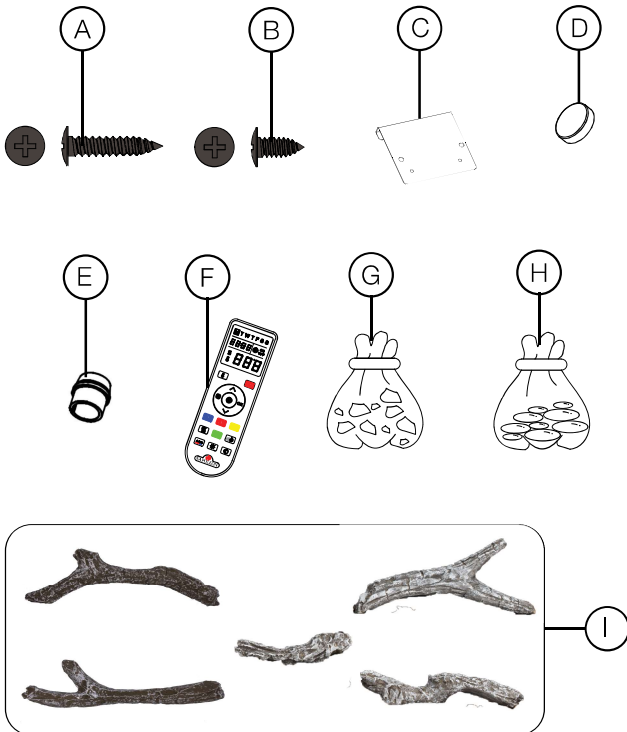
1.3 general instructions

- The appliance may emit a slight, harmless odour when first used. This odour is normal and it is caused by the initial heating of internal appliance elements and will not occur again.
- If your appliance does not emit heat when called for, consult the “operation” section of this manual for further information.
- Use with a CSA or UL certified surge protector.

This electric appliance meets the construction and safety standards of H.U.D. for application in manufactured homes when installed according to these instructions.

As with most electronic devices, your new electric appliance has been designed to operate at temperatures between 5°C (41°F) and 35°C (95°F). During the colder winter months, allow the appliance to reach room temperature before turning it on.

1.4 parts list

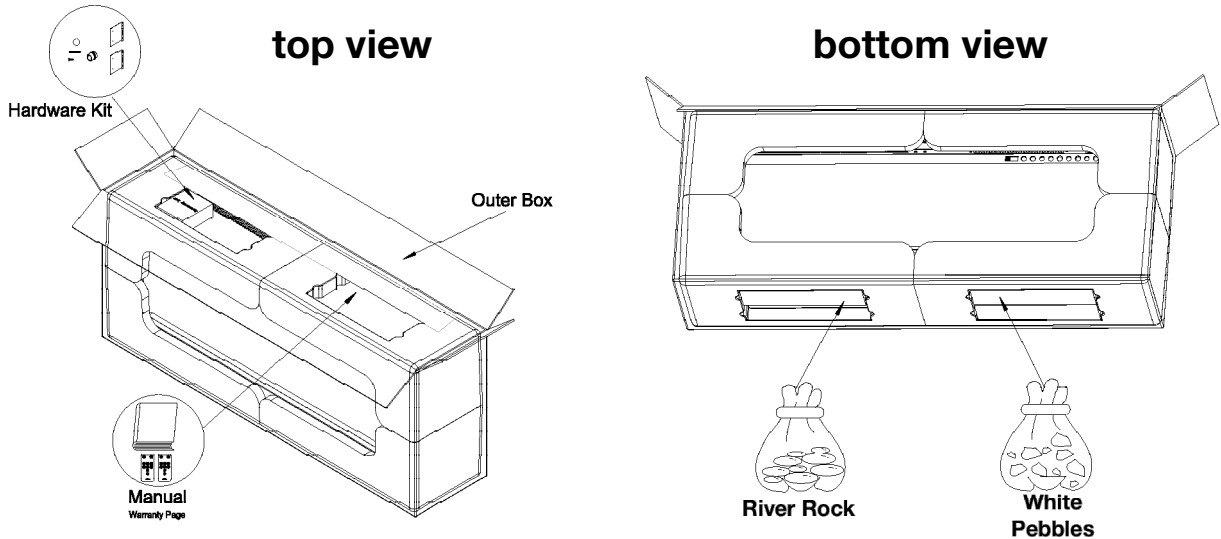


Ref.	Description	Quantity
A	Metal Screws (Black)	4
B	Metal Screws (Black)	12
C	Mounting Bracket	2
D	Magnetic Buttons	8
E	Strain Relief	1
F	Remote Control	2
G	White pebbles	2 bags
H	River rock	2 bags
I	Driftwood logs	2 sets

1.5 unpacking appliance

! WARNING

- Ensure to carefully remove the appliance from the box.



note:

The appliance comes with medium density fibreboard (MDF board) installed on the sides. See “installing the appliance” section for more details about removal.

1.6 rating plate information

ELECTRIC FIREPLACE. SUITABLE FOR BEDROOM AND BED-SITTING ROOM INSTALLATION. SUITABLE FOR MOBILE HOME INSTALLATION.

VOLTAGE: 220-240 VAC
 FREQUENCY: 50Hz
 POWER: 1750-2000W
 DATE CODE: XXXXX

MODELS

NEFBD50HE-EU CEFBD50HE-EU

Manufacturer: Wolf Steel Ltd.
 24 Napoleon Road,
 Barrie, ON, L4M 0G8 Canada

Importer: Wolf Steel Europe BV
 De Riemsdijk 22, 4004 LC Tiel,
 The Netherlands

DESIGNED IN NORTH AMERICA
 BY WOLF STEEL LTD.
 MADE IN CHINA

SERIAL NUMBER: **NEFBD000000** W385-2593

CE, TÜV Rheinland ZERTIFIZIERT, GS geprüft Sicherheit, RoHS, Reach, www.tuv.com ID: 1438046001

This illustration is for reference only. Refer to the rating plate on the appliance for accurate information.

note:

The rating plate must remain with the appliance at all times. It must not be removed.

general information

1.7 magnetic buttons

Your appliance is equipped with magnetic buttons (see “parts list” and “replacement parts” sections for details). **The buttons are optional and for decorative purposes only.**

If using, place the magnetic buttons on the four corners of the appliance surround (**Fig. 1-1**). Avoid sliding as this can scratch the painted surface.

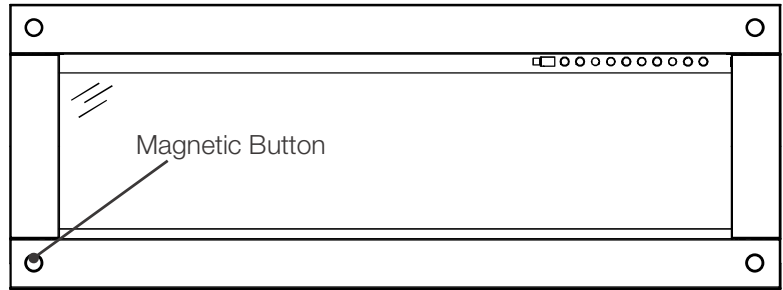


Fig. 1-1

! WARNING

- Risk of fire! The power cord must not be pinched against a sharp edge. Secure cord to avoid tripping or snagging to reduce the risk of fire, electric shock, or personal injury. Do not run cord under carpeting. Do not cover cord with throw rugs, runners, or similar items. Arrange cord away from traffic areas and where it will not be tripped over.
- Risk of fire! To prevent a possible fire, do not block air intake or exhaust in any manner. Do not use on soft surfaces where openings may become blocked.
- Risk of fire! Do not blow or place insulation against the appliance.
- This electric appliance is tested and listed for use only with the approved optional accessories. Use of optional accessories not specifically tested for this electric appliance could void the warranty and/or result in a safety hazard.
- If the information in these instructions is not followed exactly, a fire or explosion may result causing property damage, personal injury, or death. Do not store or use gasoline or other flammable vapors in the vicinity of this or any other appliance.
- This appliance is heavy. It is highly recommended that two people install this appliance.
- If your appliance is equipped with a heater, ensure the heater vents cannot, in any way, be covered as it may create a fire hazard.
- Do not run the power cord horizontally, directly below the appliance.

This is a see-thru electric appliance installed into a wall. Select a suitable location that is not susceptible to moisture and is away from drapes, furniture and high traffic areas.

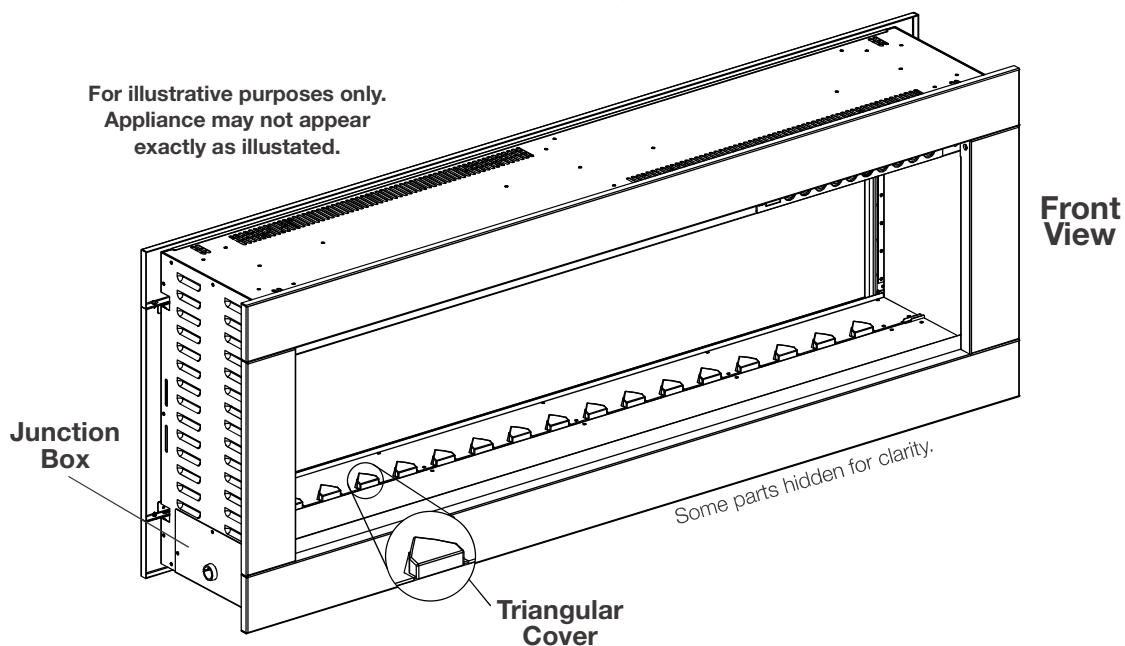
note:

Follow all national and local electrical codes.

2.1 locating the appliance**! WARNING**

- Due to high temperatures, this electric appliance should be located out of traffic. Keep combustible materials, such as furniture, pillows, bedding, papers, clothes, curtains, and similar items at least 36" (91.4cm) from the front of the appliance.
- Never locate this electric appliance where it may fall into a bathtub or other water container.
- Wear safety gloves and safety glasses for protection during installation and maintenance.
- To prevent contact with sagging or loose insulation, the electric appliance must not be installed against vapor barrier or exposed insulation. Localized overheating could occur and fire could result.
- Do not expose the electric appliance to the elements (such as rain, etc.).

To determine the front of the appliance, ensure the junction box is located on the left side of the appliance and the triangular covers are located on the other side of the firebox (see below).



installation

2.2 grounding the appliance

! WARNING

- This appliance is for use with 220 volts and 240 volts.
- A bonded/grounded power source is **mandatory** for this appliance.
- This appliance must be connected to a dedicated 15 amp circuit. The use of an extension cord is **NOT** permitted.

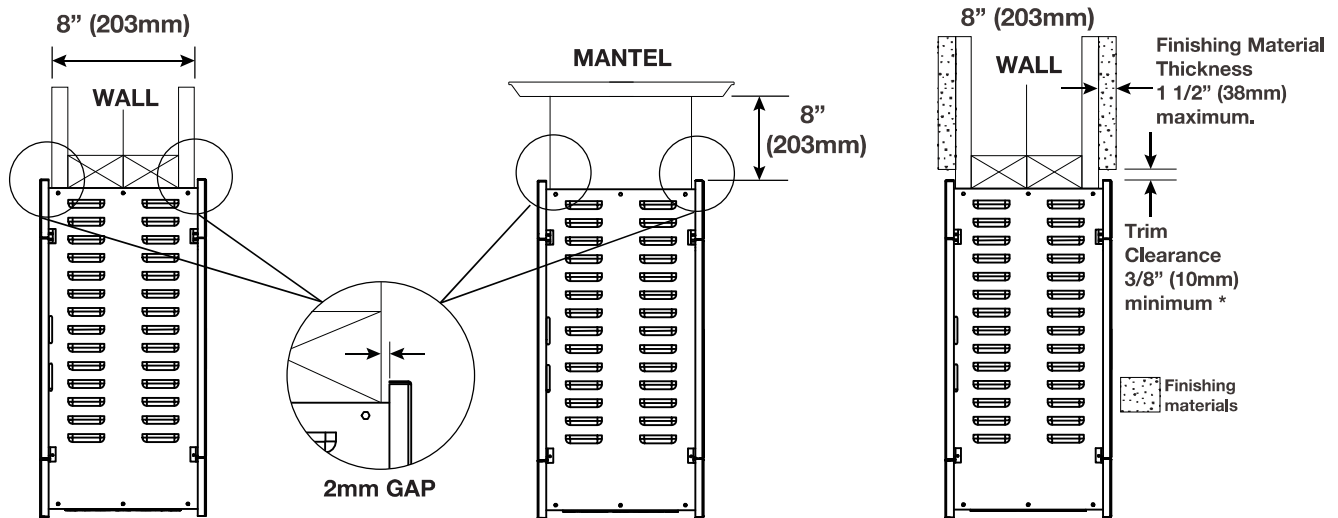
2.3 minimum clearance to combustibles

Measurements are taken from the front trim	
Bottom	0"
Sides	0"
Front / Back	36" (914mm)
Mantel	8" (203mm)

2.4 minimum mantel clearances

! WARNING

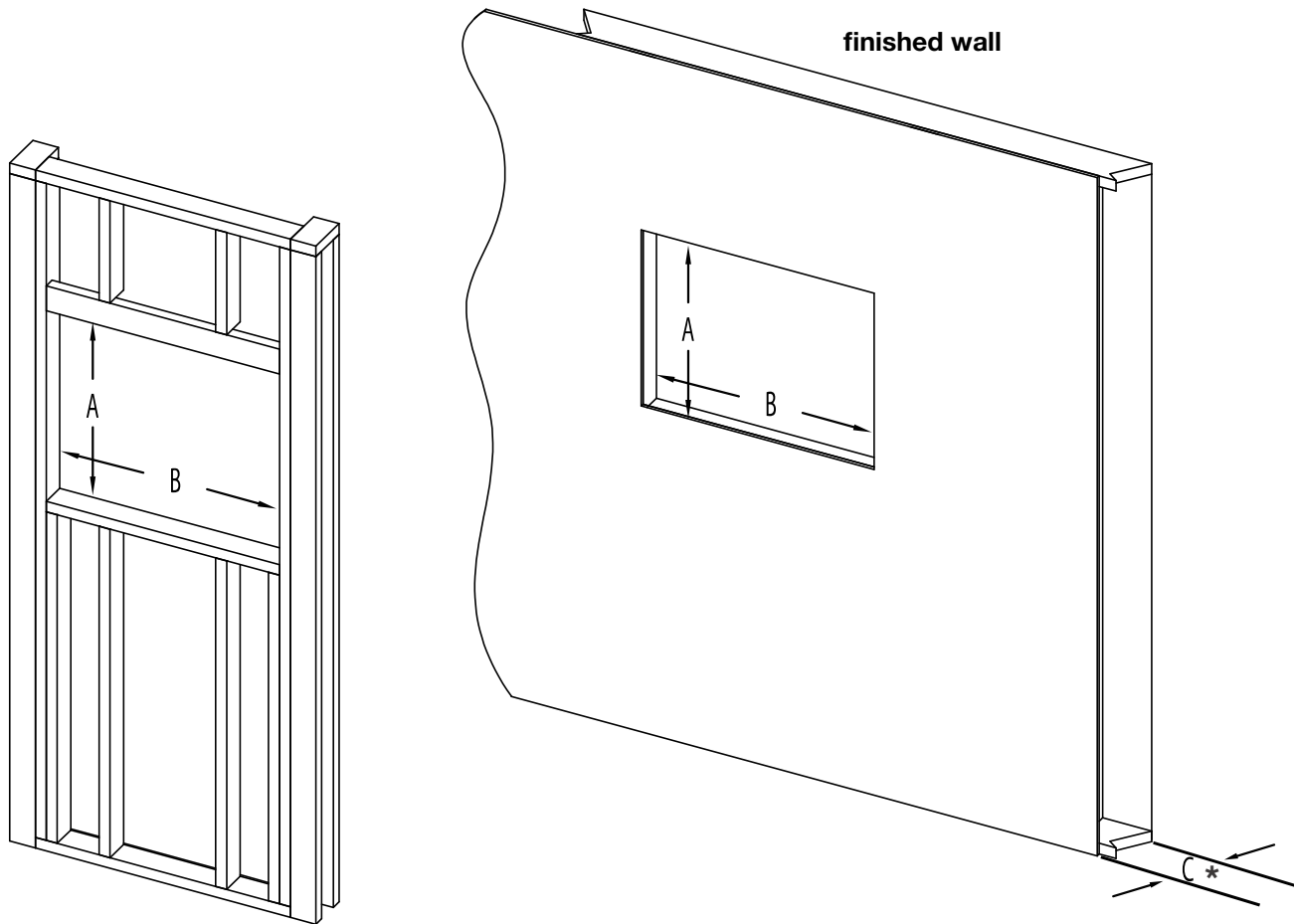
- When using paint or lacquer to finish the mantel, the paint or lacquer must be heat resistant to prevent discoloration.



note:

* If finishing materials are installed on top of the already 8" (203mm) wall, a 3/8" (10mm) clearance must be maintained at the top of the trim in order to service the appliance.

2.5 framing



A	17 15/16" (456mm)
B	49" (1245mm)
C	8" (203mm) max.
	4 1/2" (114mm) ** min

important:

* This measurement includes thickness of finishing materials.

** Deep trim accessory available for this thickness of wall (see "accessories" section).

installation

2.6 installing the appliance

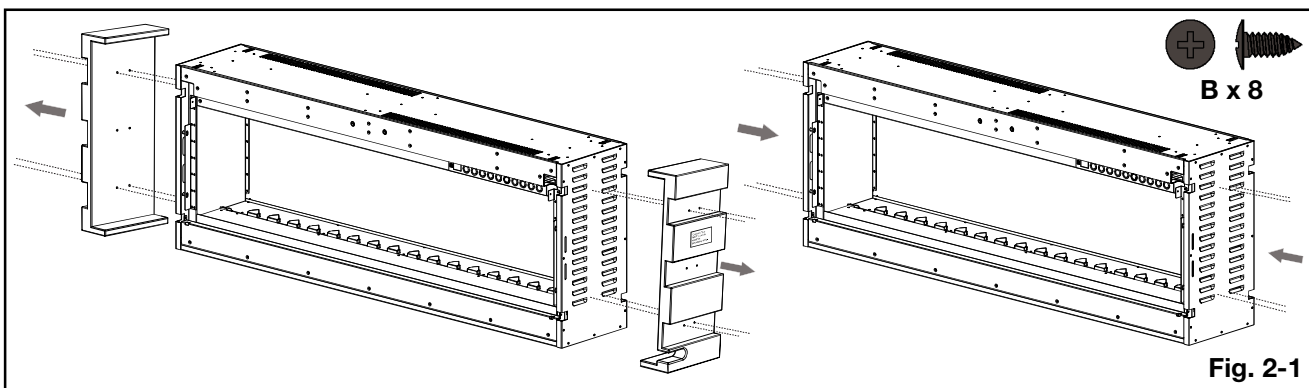
note:

It is recommended to have the walls of the appliance enclosure be finished (i.e. drywall) to avoid exposed insulation or vapour barrier coming in contact with the appliance. This will ensure clearance to combustibles is maintained.

Wall anchors are not required when screwing into the wall stud.

It is recommended to use a magnetic screwdriver bit during installation to prevent the screws from falling into the appliance.

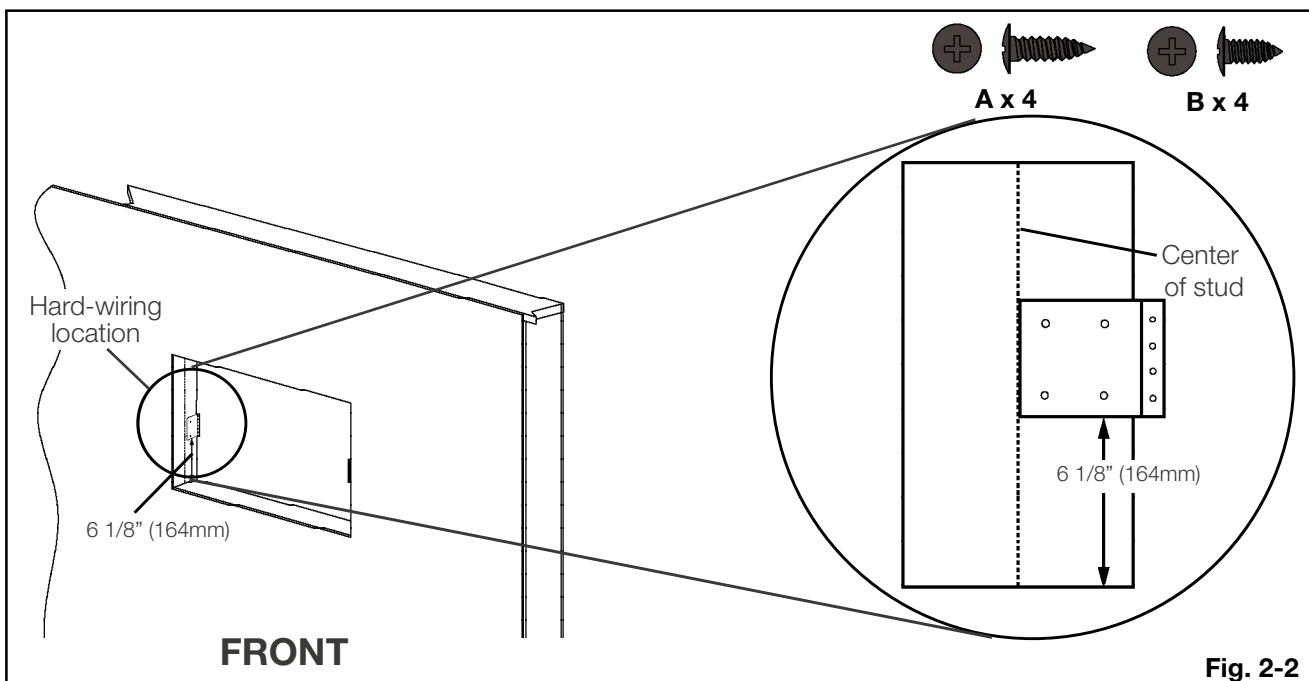
- A. Frame an opening (see “framing” section for details).
- B. Make hardwire connections on the left of the intended front side.
- C. Remove the front trims of the appliance (see “front trim removal / installation” section).
- D. Remove the front glass from the appliance (see “front glass removal / installation” section).
- E. Remove the 2 MDF support ends from the appliance by removing the screws. Discard both MDF boards. Use 4 new screws (supplied) on each side to cover MDF board screw holes (**Fig. 2-1**).



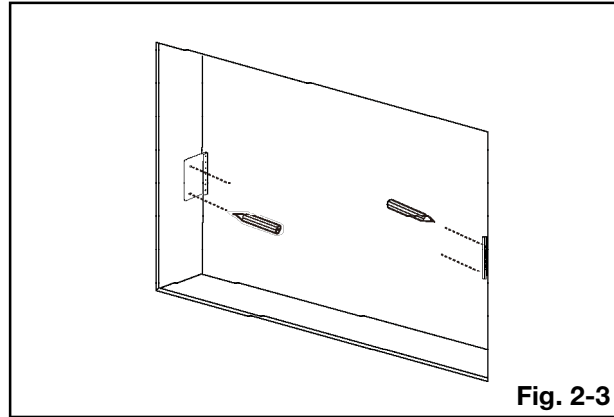
note:

Installation uses 2 mounting brackets in opposite corners. Looking at the stud from the centre of the opening, the brackets will extend out to the right (**Fig. 2-2**).

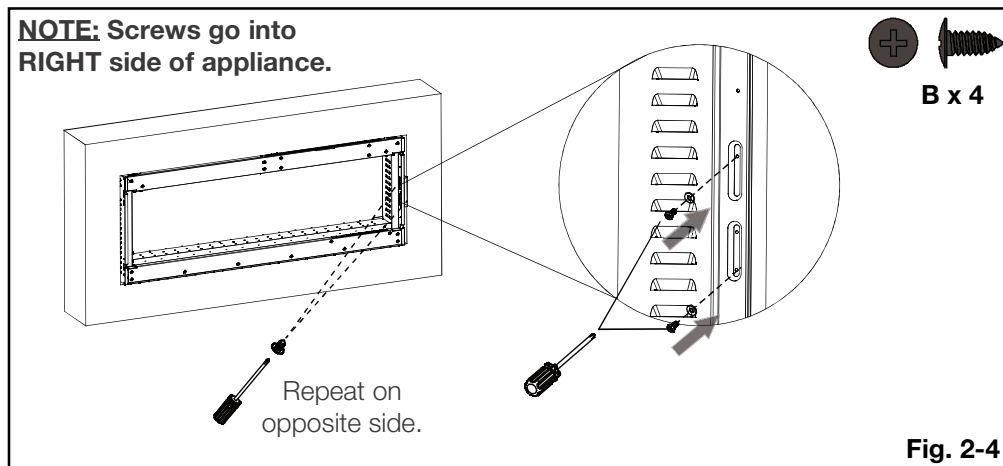
- F. Mark the centre of the wall depth on the vertical stud and install the mounting brackets by aligning the edge of the bracket with the centre marking. Measure 6 1/8" (164mm) from the bottom of the bracket to the bottom of the opening (**Fig. 2-2**).



- G. Mark the holes for the mounting bracket. Ensure the marked holes are on opposite sides, as the brackets cannot be mounted on the same side (**Fig. 2-3**).



- H. Drill marked holes and secure the mounting brackets with screws (supplied).
- I. Locate the appliance to the opening and position so that the hard wiring connections can be made (see “hardwiring” section).
- J. Locate the appliance fully into the opening and position against the mounting brackets. Align the bracket screw hole with the slots in the side of the appliance and screw through the slots to secure the appliance into the mounting brackets. Repeat on opposite side (**Fig. 2-4**).



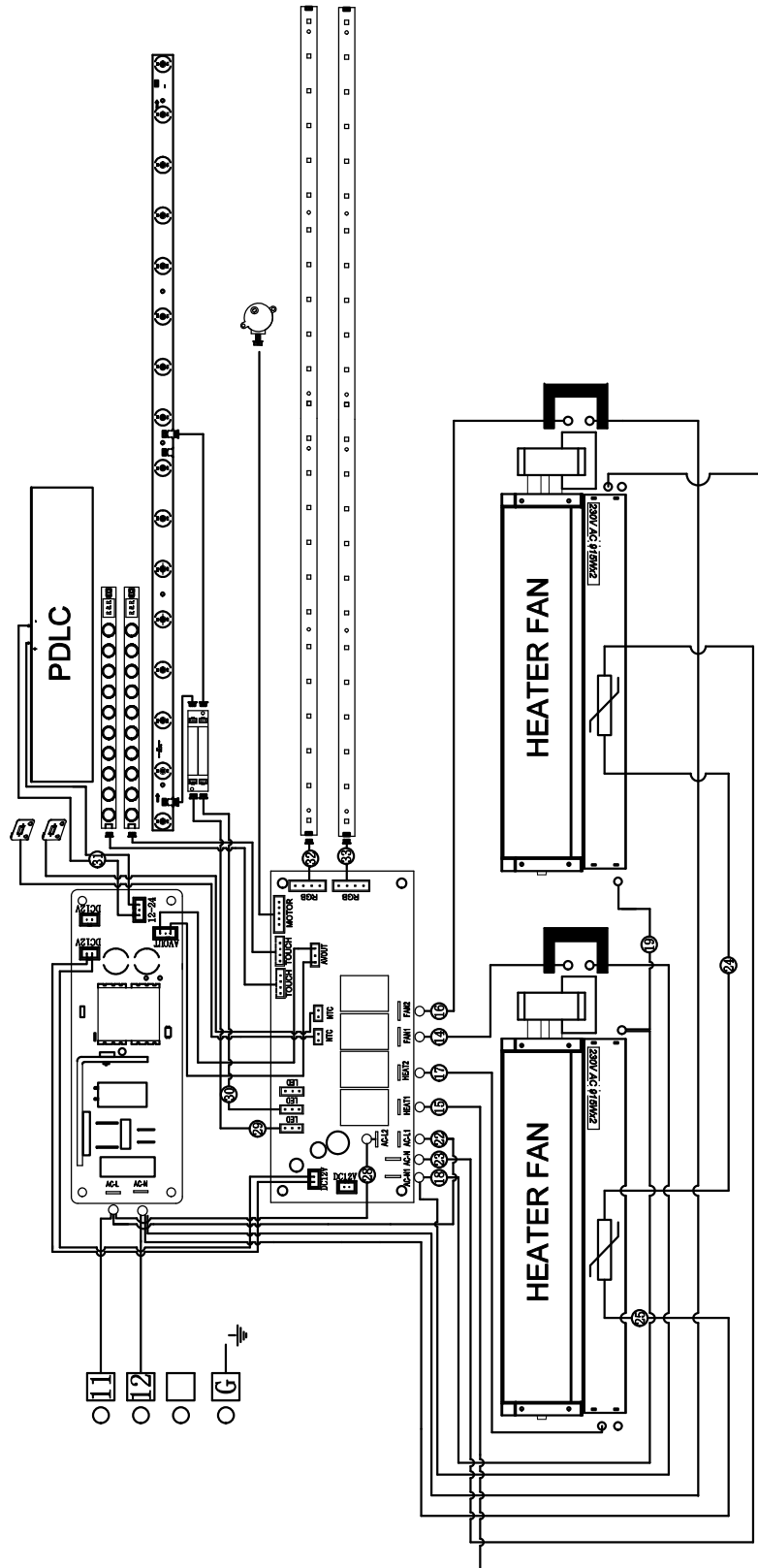
- K. Install media (see “media installation” section).
- L. Reinstall front glass and front trim (see “front glass removal / installation” and “front trim removal / installation” sections).

3.0 electrical information

3.1 wiring diagram

! WARNING

- Turn off the appliance completely and let cool before servicing. Only a qualified service person should service and repair this electric appliance.



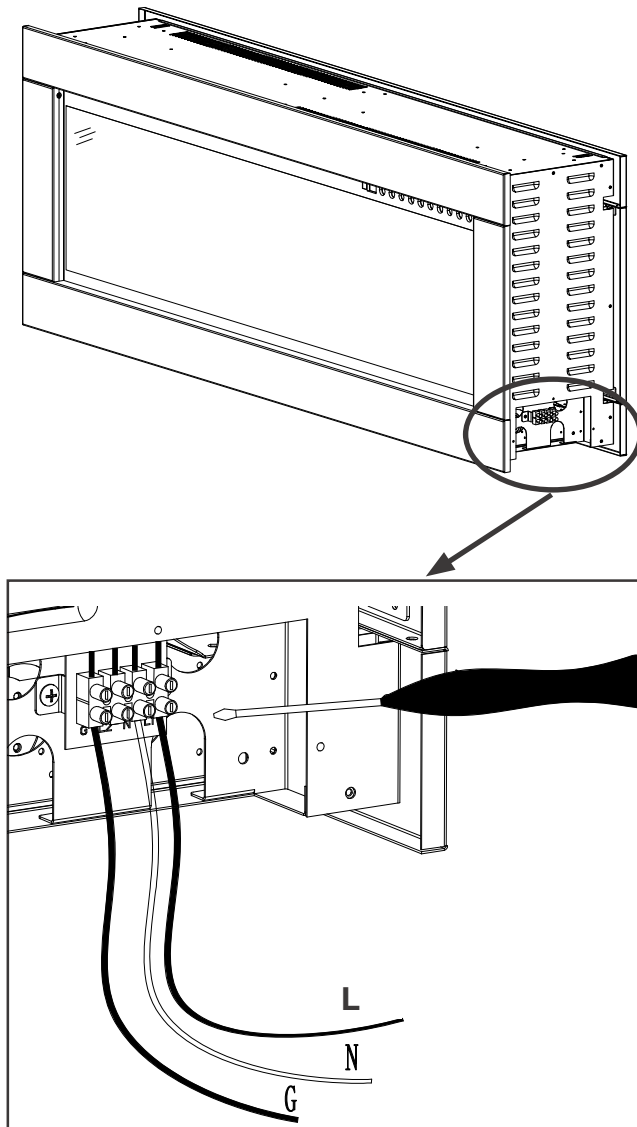
3.2 hard-wiring installation

⚠ WARNING

- Turn off the appliance completely and let cool before servicing. Only a qualified service person should service and repair this electric appliance.

Hard-Wiring Connection

It is necessary to hard-wire this appliance. A qualified electrician must wire the appliance directly to the household wiring.

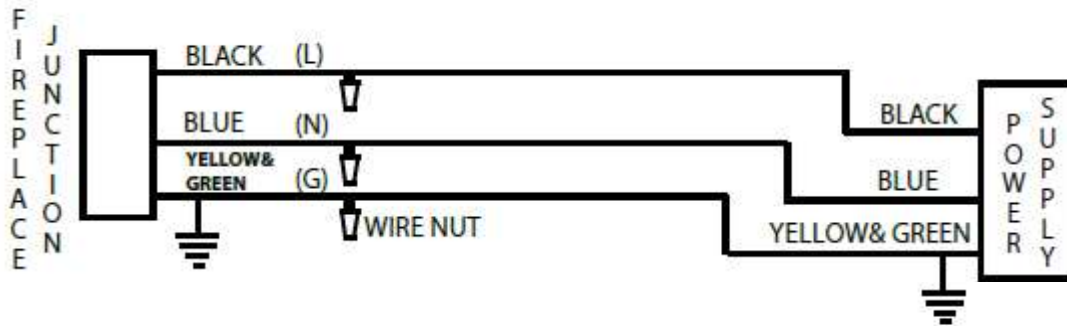
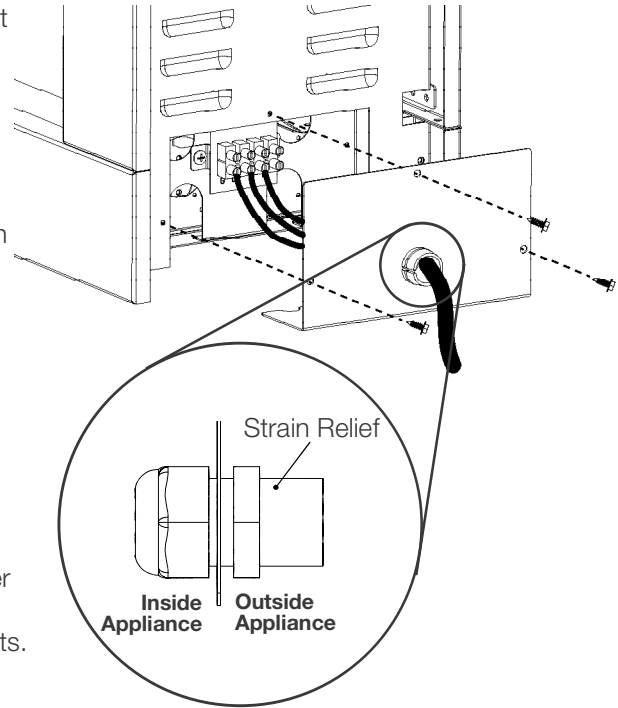


Hard-Wiring

electrical information

3.3 hard-wire connection

- A. Remove the cover plate by remove the 3 screws. Set screws aside.
- B. Add a strain relief and feed the supply wires through the 7/8" (22mm) hole from the terminal block. Use minimum 14AWG/3.
- C. Loosen the securing screws from the terminal block for the Yellow & Green (G) wire. Insert Yellow & Green (G) or bare copper wire from power supply to the designated (G) slots in the terminal block. Secure by tightening the screws on the (G) slots.
- D. Loosen the securing screws from the terminal block for the Blue (N) wire. Insert Blue (N) wire from power supply to the designated (N) slots in the terminal block. Secure by tightening the screws on the (N) slots.
- E. Loosen the securing screws from the terminal block for the Black (L) wire. Insert Black (L) wire from power supply to the designated (L) slots in the terminal block. Secure by tightening the screws on the (L) slots.
- F. Reinstall the cover plate.



note:

Leave enough wiring so that the appliance can be removed from the enclosure to access the hardwire connections.

If connections are wired incorrectly, the appliance will not function and will emit an audible warning (i.e. beep).

4.1 front trim removal / installation

! WARNING

- Before the front trim or glass is removed or installed, unplug the appliance and wait until it is cool to the touch.
- Trim can be heavy and fragile. Handle with care.

note:

Removal / installation steps are the same for both sides of appliance (i.e. front and back).

- Remove the 2 screws holding the front trim in place (**Fig. 4-1**). Set screws aside.
- Have 2 people lift the front trim off the hooks located inside the firebox (**Fig. 4-2**). Place front trim face down on a soft, non-abrasive surface.
- Reverse these steps to install the front trim.

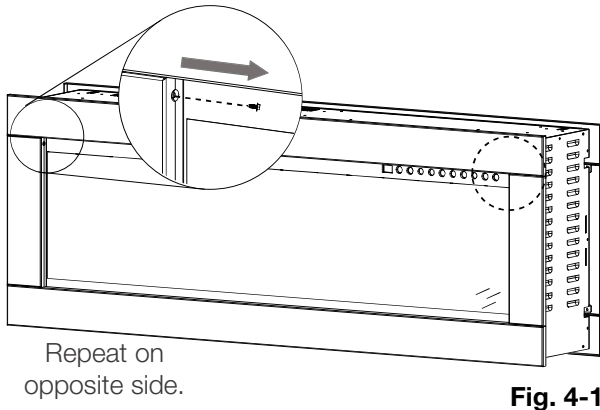


Fig. 4-1

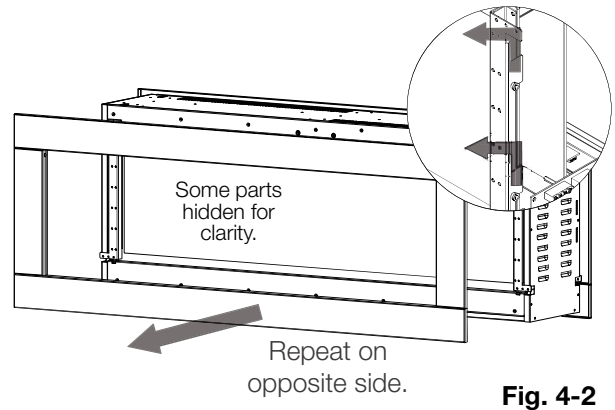


Fig. 4-2

4.2 front glass removal / installation

- Remove the 5 screws holding the front glass in place (**Fig. 4-3**).
- Have 2 people lift the front glass up and out, pivoting it away from the side panels (**Fig. 4-4**). Place the front glass face down on a soft, non-abrasive surface.
- Reverse these steps to install the front glass.

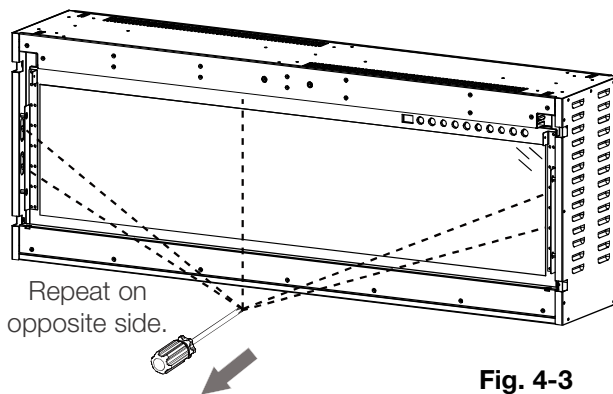


Fig. 4-3

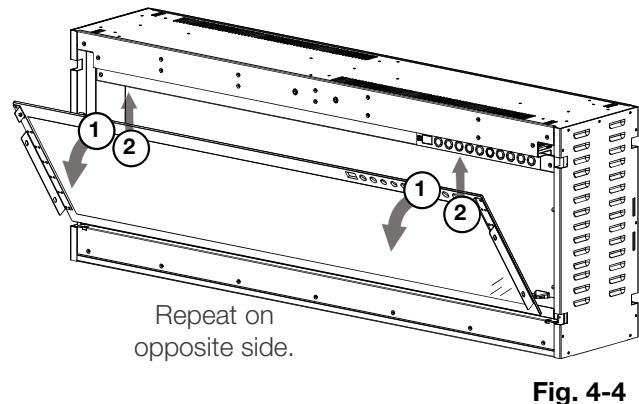


Fig. 4-4

finishing

4.3 media installation

There are 2 media options for this appliance: river rocks and driftwood logs, or white pebbles. See below for installation details.

4.3.1 river rock and driftwood log installation

The front glass must be removed and the appliance must be secured in its final location before the river rocks and driftwood logs are installed.

1. Carefully place the river rocks into the media tray on the front and back of the appliance.
2. Apply an even layer from side to side.
3. Place the driftwood logs on top of the river rocks as illustrated (**Fig. 4-5**).

note:

Do NOT cover triangular covers on the back side of the appliance. Blocking the triangular covers with media will alter the flame appearance (**Fig. 4-6**).



Fig. 4-5

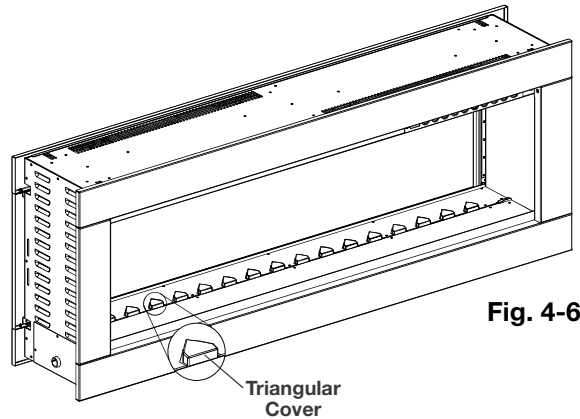


Fig. 4-6

4.3.2 white pebble installation

The front glass must be removed and the appliance must be secured in its final location before the white pebbles are installed.

1. Carefully place the white pebbles into the media tray on the front and back of the appliance.
2. Apply an even layer from side to side (**Fig. 4-7**).

note:

Do NOT cover triangular covers on the back side of the appliance. Blocking the triangular covers with media will alter the flame appearance (**Fig. 4-6**).



Fig. 4-7

! WARNING

- While the appliance is operating, do not remove the trim. This will cause the remote control and touch panel to malfunction.

Once the appliance has been hard-wired to a dedicated 220V-240V power supply, it is ready to operate.

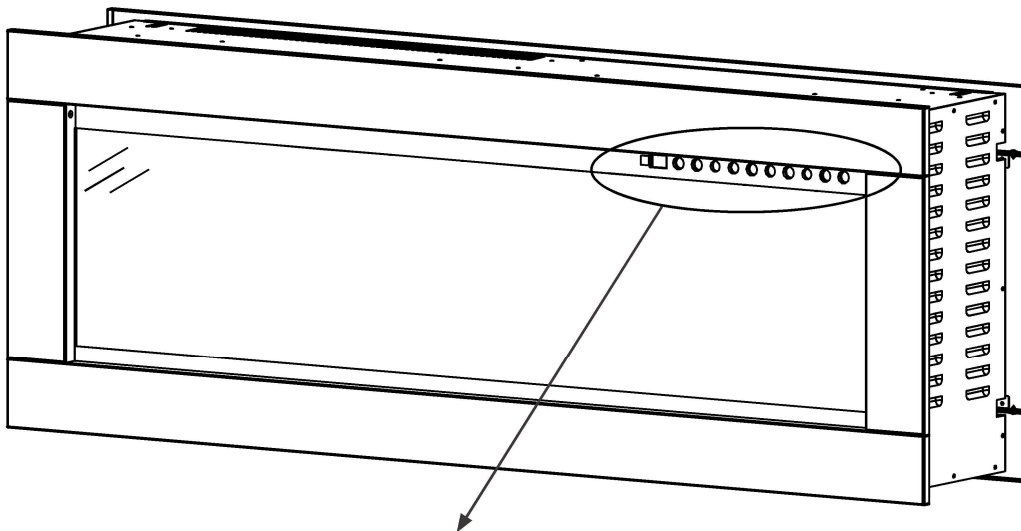
note:

Ensure the house circuit breakers for the power supply are turned on. In the event of a power failure, the appliance will lose its memory function and will reset to factory mode when the power returns.

5.1 main power button

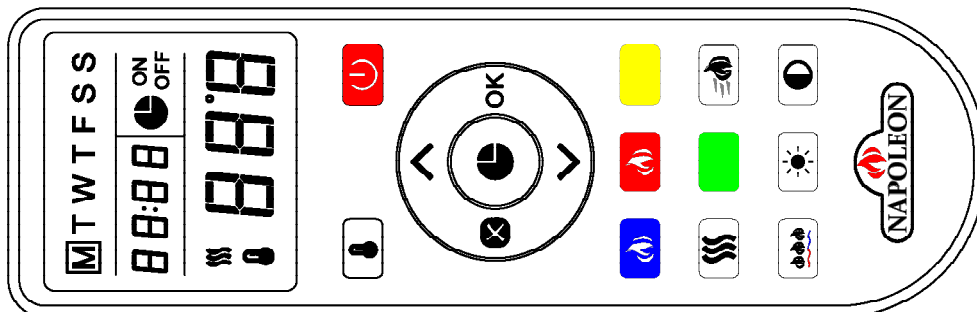
The main power button is located in the top right corner of the glass panel.

5.2 operating touch panel and remote control



touch panel

For illustrative purposes only. Touch panel may not always appear as illustrated.



remote control

note:






Buttons without icons are to be considered as buttons without any functions.

note:






When only the **heat** is on (i.e. no flames, no ember bed lights, etc.), the display window will be dim and show H1 or the chosen temperature.

When only the **fan** is on (i.e. no flames, no ember bed lights, etc.), the display window will be dim and show FAN.





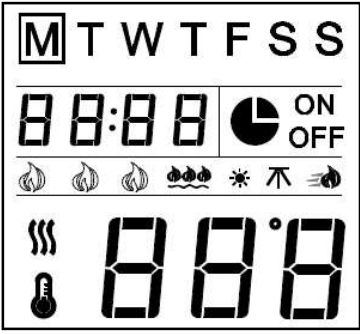
After the heater is turned off, the blower will continue running for 10 seconds. This helps to remove heat from the appliance and bring down its temperature.

Power		Turns appliance on and off.
Privacy Glass Control		Controls the privacy glass. Settings: G-1 - Half transparent mode (default) G-2 - Full transparent mode G-0 - No transparent mode Press and hold the button for 5 seconds to lock/unlock the privacy glass to G-0 status. When unlocked, the appliance will return to G-1 (default).
Orange Flame		Controls orange flame brightness. Settings: OF4 - Brightest flame OF3 - Bright flame OF2 - Dim flame OF1 - Dimmest flame OF0 - Flame off
Blue Flame		Controls blue flame brightness. Settings: BF4 - Brightest flame BF3 - Bright flame BF2 - Dim flame BF1 - Dimmest flame BF0 - Flame off
Ember Bed Brightness		Controls the brightness of the ember bed light. NOTE: If the ember bed colour is set to L16, the ember bed brightness setting cannot be changed. Settings: B-5 - Fade in and out B-4 - Brightest B-3 - Bright B-2 - Dim B-1 - Dimmest B-0 - Off





Continued on next page →

<p>Ember Bed Colour</p>		<p>Controls ember bed light settings.</p> <p>NOTE: Ember bed brightness must be between B-4 and B-1 to control ember bed colour.</p> <p>Settings: L01 - Orange L02 - Red L03 - Blue L04 - Yellow L05 - Green L06 - Purple L07 - Sky Blue L08 - Purple Red L09 - White L10 - Pink L11 - Yellow Green L12 - Ice Blue L13 - Orange Red L14 - Light Green L15 - Magenta L16 - Autocycle L17 - Lock a colour during L16 cycle</p>
<p>Flame Speed</p>		<p>Controls flame speed.</p> <p>Settings: S-3, S-4, S-5, S-1, S-2</p>
<p>Heater</p>		<p>Turns the heater and blower on/off.</p> <p>Settings: H-0 - Heater and blower off FAN - Blower on H-1 - Heater on (1000W each side) LOC - Lock-out of heater and thermostat</p> <p>NOTE: Press and hold the heater button for 5 seconds to lock / unlock the heater and thermostat.</p> <p>NOTE: Each side of the appliance has an independent heater control.</p>
<p>Timer</p>		<p>Sets the timer.</p> <p>Settings: 30M, 1Hr, 2Hr, 3Hr, 4Hr, 5Hr, 6Hr, 7Hr, 8Hr.</p> <p>NOTE: The display will read "---" after completing the 9 timer settings.</p>
<p>Temperature Control</p>		<p>Sets desired temperature.</p> <p>Settings: 18°C (64°F), 19°C (66°F), 20°C (68°F), 21°C (70°F), 22°C (72°F), 23°C (74°F), 24°C (76°F), 25°C (78°), 26°C (80°F), 27°C (82°F), and OFF.</p> <p>To switch between °C and °F or vice versa, hold the temperature control button for 5 seconds.</p>



5.3 timer settings on remote control

 Timer: Displays current day, time, and week. Press to enter or confirm timer settings.		
OK Settings: Press to move to next step (use with Timer button). Press to confirm week timer.		
 Back: Press to clear timer settings. Press to return to the previous step (use with Settings button).		
 Up and down: Use with Settings button.		
LCD Screen		
Weekday: _____ Mon., Tues., Wed., Thurs., Fri., Sat., Sun.		NOTE: The functions can only be adjusted when the related letters or digits are flashing. NOTE: Calibrate the timer to current time before the weekly settings.
Time Display: _____		
Current Time / Timer From 00:00 to 24:00 NOTE: 00-12:00 is AM / 13:00 - 24:00 is PM		

5.3.1 set current day and time




1. Press  once. When "MON" (Monday) begins flashing, use  to select current day. Press OK to complete the setting.
2. When the hour digits begin flashing, use  to select the current hour. Press OK to complete the setting.
3. When the minute digits begin flashing, use  to select the current minute. Press OK to complete the setting.

5.3.2 set ON/OFF time and temperature on a weekly cycle

1. Press  once. When "MON" (Monday) begins flashing, use  to select current day. Press OK to complete the setting.



note:

The timer can only be adjusted in 30-minute intervals (i.e. 00:00 - 00:30; 00:30 - 01:00, etc.).

2. When "--:--" begins flashing, use  to select the desired hour and minutes to turn on the heater. Press OK to complete the setting. Press  at any time to clear the digits and shut down "ON" timer.
3. When "18" begins flashing, use  to select the desired temperature to turn on the heater for Monday.

note:

If the temperature was previously set, those digits will be shown instead of "18".

4. When "--:--" begins flashing, use  to select the desired hour and minutes to turn off the heater. Press OK to complete the setting. Press  at any time to clear the digits and shut down "OFF" timer.

5. Repeat steps 1 to 4 to set the "ON/OFF" time and temperature for Tuesday, Wednesday, Thursday, Friday, Saturday, and Sunday.
6. Press OK to complete programming, ensuring the aim the remote control at the receiver, located in the middle of the appliance. The appliance will "beep" once to confirm that programming has been successful.

5.4 open window warning

If the room temperature decreases by 10 degrees within 3 minutes, the appliance will assume there is an open window nearby. In order to conserve energy, the heater will automatically switch from High Heat to Low Heat, or if the heater is already at Low Heat, it will turn off completely.

When switching from High Heat to Low Heat, the appliance will beep 3 times and the digital display will flash "88" three times before displaying the existing heating status.

When switching from Low Heat to Off, the appliance will beep 3 times and the digital display will flash "88" continuously.

To reset the heating function, see "operating remote control" section.

6.0 maintenance

6.1 cleaning

WARNING

- Always turn the heater off and unplug the power cord from the outlet before cleaning, performing maintenance, or moving this appliance. Failure to do so could result in electric shock, fire, or personal injury.
- Never immerse in water or spray with water. Doing so could result in electric shock, fire, or personal injury.

Metal:

- Buff using a soft cloth, slightly dampened with a citrus oil-based product.
- Do not use brass polish or household cleaners as these products will damage the metal trim.

Glass:

- Use a good quality cleaner sprayed onto the cloth or towel. Dry thoroughly with a paper towel or lint-free cloth.
- Never use abrasive cleaners, liquid sprays, or any cleaner that could scratch the surface.

Vents:

- Use a vacuum or duster to remove dust and dirt from the heater and vent areas.

Plastic:

- Wipe gently with a slightly damp cloth and a mild solution of dish soap and warm water.
- Never use abrasive cleaners, liquid sprays, or any cleaner that could scratch the surface.

 **WARNING**

- Failure to position the parts in accordance with this manual or failure to use only parts specifically approved with this appliance may result in property damage or personal injury.

Contact your dealer for questions concerning prices and policies on replacement parts. Normally, all parts can be ordered through your Authorized dealer / distributor.

For warranty replacement parts, a photocopy of the original invoice will be required to honour the claim.

When ordering replacement parts always give the following information:

- Model & Serial Number of appliance
- Installation date of appliance
- Part number
- Description of part
- Finish

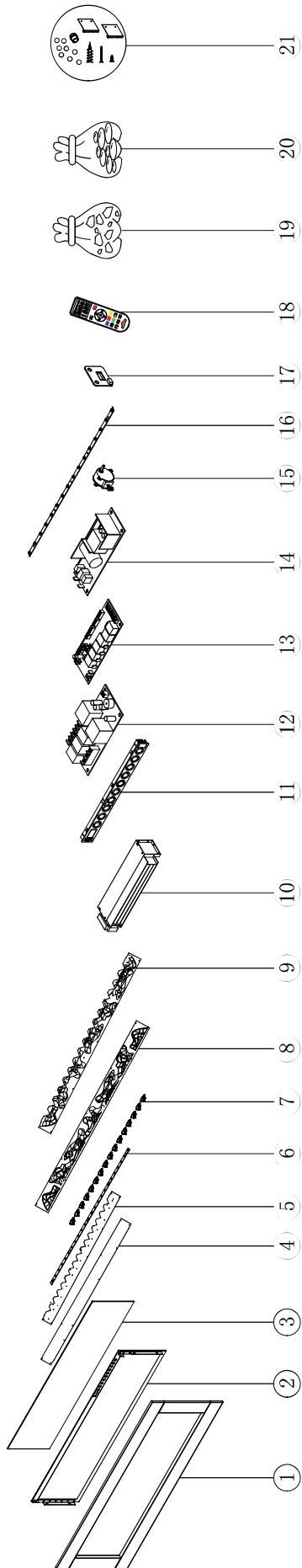
Parts, part numbers, and availability are subject to change without notice.

Parts identified as stocked will be delivered within 2 to 5 business days for most delivery destinations.

Parts not identified as stocked will be delivered within a 2 to 4 week period, for most cases.

Parts identified as 'SO' are special order and can take up to 90 days for delivery.

7.1 overview



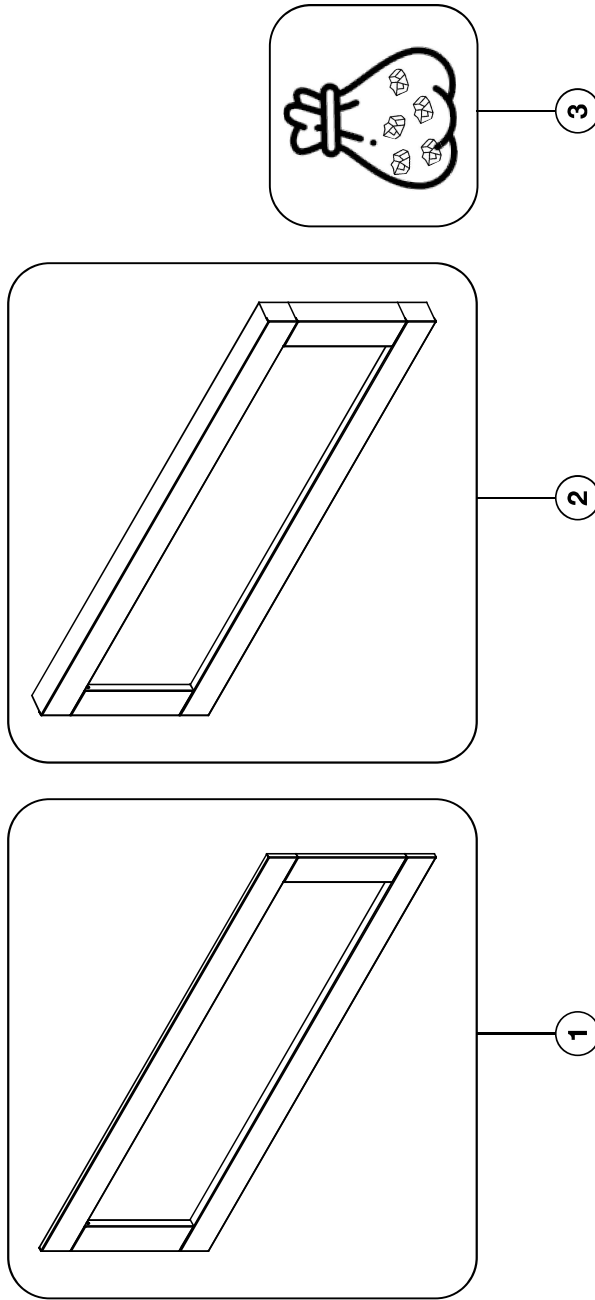
Items may not appear exactly as illustrated.

Ref. No.	Part No.	Qty.	Description	Stocked	Ref. No.	Part No.	Qty.	Description	Stocked
1	W715-1227-SER	2	Front trim, black	Yes	13	W190-0223	1	Main PCB board	Yes
2	W300-0313-SER	2	Front glass	Yes	14	W190-0179-SER	1	Power driver for privacy glass	Yes
3	W300-0314-SER	1	Privacy glass	Yes	15	W435-0090-SER	1	Step motor	Yes
4	W497-1608-SER	1	Front, media tray holder	Yes	16	W405-0083-SER	1	LED light for flame	Yes
5	W497-1609-SER	1	Back, media tray holder	Yes	17	W690-0021	2	Thermostat	Yes
6	W405-0085-SER	2	LED ember bed light strip	Yes	18	W190-0224	2	Remote control	Yes
7	W405-0084-SER	16	Triangular cover	Yes	19	W497-1634	2	White pebbles	Yes
8	W135-0936-SER	1	Front, log set assembly	Yes	20	W497-1635	2	River Rocks	Yes
9	W135-0937-SER	1	Back, log set assembly	Yes	21	W370-0191-SER	1	Hardware kits & wall mount bracket	Yes
10	W010-5005	2	Heater and blower assembly	Yes	22 **	W430-0023-SER	1	Magnetic buttons (x8)	Yes
11	W475-6144-SER	2	Touch-on control panel with receiver	Yes	23 *	W527-0042-SER	1	Reflector drum	Yes
12	W190-0180-SER	1	Hard-wiring PCB board	Yes	24	W135-1023	2	Driftwood log #1	Yes
					25	W135-1024	2	Driftwood log #2	Yes
					26	W135-1025	2	Driftwood log #3	Yes
					27	W135-1026	2	Driftwood log #4	Yes
					28	W135-1027	2	Driftwood log #5	Yes

* Parts not illustrated.

** These magnetic buttons are for decorative purposes only. They are meant to be placed in the corners of the appliance surround (see "magnetic buttons" section for details).

8.1 accessories



Items may not appear exactly as illustrated.

Ref. No.	Part No.	Description	Stocked
1	NEFBD50HE-SS-TRIM	Stainless steel trim (x2)	Yes
2 *	NEFBD50HE-SS-DTRM	Stainless steel deep trim (x2)	Yes
2 *	NEFBD50HE-DTRM	Black deep trim (x2)	Yes
3 **	W497-0067-SER	Bag of crystals, large	Yes

* For use with 4 1/2" (114mm) thick walls. For more information, see "framing" section.

** 5 crystals per bag. This appliance requires 2 bags.

9.0 troubleshooting

WARNING

- Turn off the appliance completely and let cool before servicing. Only a qualified service person should service and repair this electric appliance.

symptom	problem	solution
Appliance will not come on when power button/switch is put into the "on" position.	House circuit breaker has tripped.	Reset house circuit breaker.
	Hard-wire connections are not correct (if applicable).	See "hard-wiring installation" section.
	Appliance has overheated and safety thermal switch has tripped.	Unplug power or turn off the circuit breaker, allow appliance to cool for 15 minutes, then plug in the appliance or turn the breaker on.
	Main PCB board issue.	Inspect the circuit board and replace, if necessary.
Appliance turns off and will not turn on.	House circuit breaker has tripped.	Reset house circuit breaker.
	Appliance's fuse has blown.	Replace the fuse.
	Appliance has overheated and safety thermal switch has tripped.	Unplug power or turn off the circuit breaker, allow appliance to cool for 15 minutes to reset the thermal switch, then plug in the appliance or turn the breaker on.
Appliance has returned to default settings.	Power failure.	Re-program appliance to original settings (not applicable with all appliances).
Remote control does not work.	Low/dead batteries.	Replace batteries in remote control.
	Remote receiver malfunction.	Ensure remote receiver is not blocked. Replace control panel.
No warm air coming out of the appliance.	Heater setting not selected.	See "operation" section.
	Heater has been locked out.	See "operation" section.
	Room temperature is higher than appliance setting (if set to room temperature).	Reset temperature setting.
	Appliance has overheated and safety thermal switch has tripped.	Unplug power or turn off the circuit breaker. Allow for appliance to cool for 15 minutes.
	Hard-wire connections are not correct (if applicable).	See "hard-wiring installation" section.
	Heater issue.	Inspect the blower and heater and replace, if necessary.
Heater shuts off automatically.	Room is too warm.	The heater has a built-in thermostat so it will shut off automatically once the pre-set temperature is reached. It will also turn on automatically if the room temperature drops below the pre-set temperature.
Dim or no flame.	Flame brightness not selected.	See "operation" section.
	Flame LEDs issue.	Inspect the LED and replace, if necessary.
	Main PCB board issue.	Inspect the main PCB board and replace, if necessary.
Flame does not move.	Motor is stalled/malfunctioning.	Cycle on/off. If problem persists, consult dealer.
Ember bed is not glowing or dimming.	Brightness not selected.	See "operation" section.
	Ember LED issue.	Inspect the ember bed LEDs and replace, if necessary.
	Main PCB board issue.	Inspect the main PCB board and replace, if necessary.

Napoleon electric appliances are manufactured under the strict Standard of the world recognized ISO 9001 : 2015 Quality Management System.

Napoleon products are designed with superior components and materials and assembled by trained craftsmen who take great pride in their work. Once assembled, the complete appliance is thoroughly inspected by a qualified and authorized installer, service agency, or supplier before packing to ensure that you, the customer, receive the quality product that you expect from **Napoleon**.

Napoleon Electric Appliance Limited Warranty

Electrical components and wearable parts are covered and **Napoleon** will provide replacement parts free of charge during the first 2 years of limited warranty. This covers: fan/heaters, motors, switches, nylon bearing components, remote controls, and LED lights.*

Light bulbs and fuses are NOT covered by the warranty.

Any labour related to warranty repair is not covered.

* Construction of models vary. Warranty applies only to components included with your specific appliance.

Conditions and Limitations

Napoleon warrants its products against manufacturing defects to the original purchaser only. Registering your warranty is not necessary. Simply provide your proof of purchase along with the model and serial number to make a warranty claim. Provided that the purchase was made through an authorized **Napoleon** dealer, your appliance is subject to the following conditions and limitations:

Warranty coverage begins on the date of original installation.

This factory warranty is non-transferable and may not be extended whatsoever by any of our representatives.

Installation must be done in accordance with the installation instructions included with the product and all local and national building and fire codes.

This limited warranty does not cover damages caused by misuse, lack of maintenance, accident, alterations, abuse, or neglect and parts installed from other manufacturers will nullify this warranty.

This limited warranty further does not cover any scratches, dents, corrosion, or discolouring caused by excessive heat, abrasive and chemical cleaners, nor chipping on porcelain enamel parts, mechanical breakage of PHAZER™ logs.

In the first 2 years only, this warranty extends to the repair or replacement of warranted parts which are defective in material or workmanship, provided that the product has been operated in accordance with the operation instructions and under normal conditions.

Napoleon will not be responsible for installation, labour, or any other expenses related to the reinstallation of a warranted part, and such expenses are not covered by this warranty. Notwithstanding any provisions contained in the Limited Warranty, **Napoleon** responsibility under this warranty is defined as above, and it shall not in any event extend to any incidental, consequential, or indirect damages.

This warranty defines the obligations and liability of **Napoleon** with respect to the **Napoleon** electric appliance and any other warranties expressed or implied with respect to this product; its components or accessories are excluded.

Napoleon neither assumes, nor authorizes any third party to assume, on its behalf, any other liabilities with respect to the sale of this product.

Any damages to appliance, brass trim or other component due to water, weather damage, long periods of dampness, condensation, damaging chemicals, or cleaners will not be the responsibility of **Napoleon**.

Napoleon reserves the right to have its representative inspect any product or part thereof prior to honouring any warranty claim.

All parts replaced under the Limited Warranty Policy are subject to a single claim.

All parts replaced under the warranty will be covered for a period of 90 days from the date of their installation.

The manufacturer may require that defective parts or products be returned or that digital pictures be provided to support the claim. Returned products are to be shipped prepaid to the manufacturer for investigation. If a product is found to be defective, the manufacturer will repair or replace such defect.

Before shipping your appliance or defective components, your dealer must obtain an authorization number. Any merchandise shipped without authorization will be refused and returned to sender.

Shipping costs are not covered under this warranty.

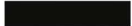
Additional service fees may apply if you are seeking warranty service from a dealer.

All specifications and designed are subject to change without prior notice due to on-going product improvements. **Napoleon** is a registered trademark of Wolf Steel Ltd.

NAPOLEON CELEBRATING OVER 40 YEARS OF HOME COMFORT PRODUCTS



WEEE :



Meaning of crossed-out wheeled dustbin:

Do not dispose of electrical appliances as unsorted municipal waste, use separate collection facilities. Contact your local government for information regarding the collection systems available. If electrical appliances are disposed of in landfills or dumps, hazardous substances can leak into the groundwater and get into the food chain, damaging your health and well-being.

When replacing old appliances with new ones, the retailer is legally obligated to take back your old appliance for disposals at least free of charge.

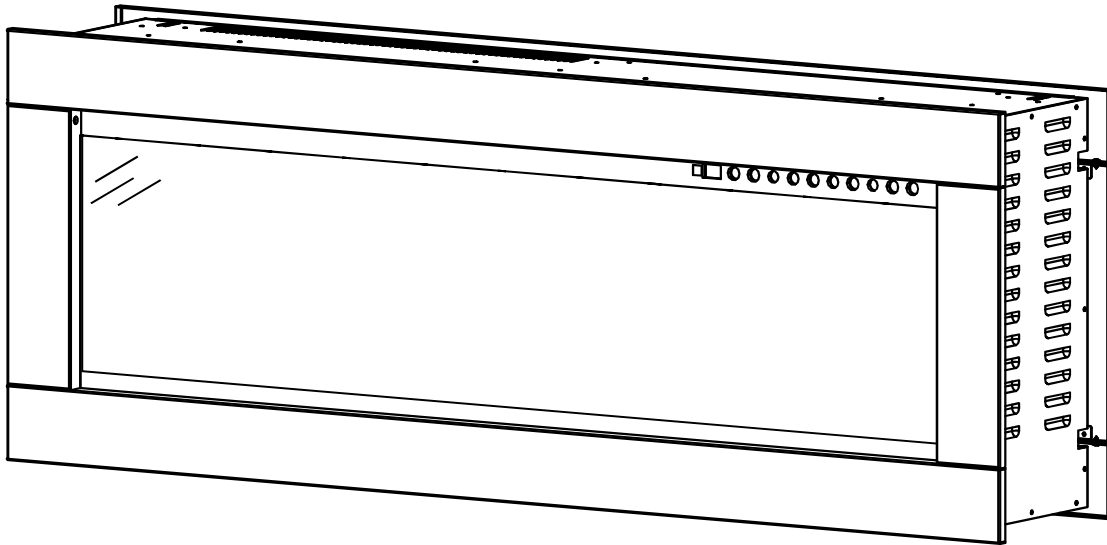


7200, Route Transcanadienne, Montréal, Québec H4T 1A3
24 Napoleon Road, Barrie, Ontario, Canada L4M 0G8
214 Bayview Drive, Barrie, Ontario, Canada L4N 4Y8
103 Miller Drive, Crittenden, Kentucky, USA 41030
De Riemsdijk 22, 4004 LC Tiel, The Netherlands
napoleon.com



MANUEL D'INSTALLATION ET D'OPÉRATION

CLEARion™ Elite



CONSIGNES DE SÉCURITÉ

⚠ AVERTISSEMENT

RISQUE D'INCENDIE OU D'EXPLOSION

Si ces instructions ne sont pas suivies à la lettre, un incendie pourrait s'ensuivre causant des dommages matériels, des blessures corporelles ou des pertes de vie.

- N'entreposez pas et n'utilisez pas d'essence ou autres liquides et vapeurs inflammables à proximité de cet appareil ou tout autre appareil.

INSTALLATEUR:

Laissez ce manuel avec l'appareil

PROPRIÉTAIRE:

Conservez ce manuel pour consultation ultérieure.

POUR L'UTILISATION INTÉRIEUR SEULEMENT



Wolf Steel Europe BV
De Riemsdijk 22, 4004 LC Tiel, Pays-Bas

AVERTISSEMENT

- **Si équipé avec un chauffage, cet appareil peut être chaud lorsqu'il fonctionne et peut causer de graves brûlures en cas de contact.**
- Ne faites pas fonctionner l'appareil avant d'avoir lu et compris les instructions d'utilisation. L'incapacité de respecter les instructions pourrait causer un incendie ou des blessures corporelles.
- N'installez pas de composants endommagés ou incomplets, ni des composants de substitution.
- Ne brûlez pas de bois ou autres matériaux dans cet appareil.
- Tous les appareils électriques contiennent des composants internes qui deviennent chauds et qui produisent des étincelles. N'utilisez pas cet appareil dans des endroits où de l'essence, des peintures ou d'autres liquides inflammables sont présents.
- Les grillages de sécurités ou écrans enlevés pour faire l'entretien devront être remis en place avant d'utiliser l'appareil.
- Il est primordial de garder propres les compartiments de contrôle, les brûleurs, la soufflerie, les bouches d'air de l'appareil ainsi que le système d'évacuation. L'appareil et son système d'évacuation doivent être inspectés avant la première utilisation et au moins une fois l'an par un spécialiste en entretien. Un entretien plus fréquent pourrait être nécessaire en raison des peluches provenant des tapis, literie, etc. L'emplacement de l'appareil doit être gardé libre de tous matériaux combustibles, essence ou autres liquides et vapeurs inflammables.
- Cet appareil ne devra être modifié en aucun cas.
- N'utilisez pas cet appareil si une partie quelconque a été submergée. Contactez immédiatement un technicien de service qualifié pour inspecter l'appareil et pour remplacer toute pièce du système de contrôle qui aurait été submergée.
- Si équipé avec une porte vitrée, n'opérer pas l'appareil lorsque la porte vitrée est enlevée, fissurée ou brisée. Le remplacement de la vitre devra être effectué par un technicien de service certifié ou qualifié.
- Si équipé avec un porte vitrée, ne frappez pas et ne claquez pas la porte vitrée de l'appareil.
- Les matériaux d'emballage doivent être gardés hors de la portée des enfants et mis au rebut de façon sécuritaire. Comme tous les emballages de plastique, ceux-ci ne sont pas des jouets et doivent demeurer hors de la portée des enfants et des bébés.
- L'entretien ne doit être effectué que lorsque l'appareil est débranché du circuit électrique.
- N'utilisez pas l'appareil si le cordon d'alimentation ou la fiche sont endommagés, s'il ne fonctionne pas bien, ou s'il a été échappé ou endommagé d'une quelconque façon. Retournez l'appareil à un centre de service autorisé pour une inspection, des ajustements électriques ou mécaniques ou une réparation.
- N'utilisez pas cet appareil à l'extérieur.
- Lorsque vous installez cet appareil dans une pièce où l'eau est présente, l'installation doit se conformer aux codes reconnaissant le risque accru de décharge électrique et d'électrocution.

note:

Cet appareil NE PEUT PAS être installé dans une salle de bain.

- Ne passez pas le cordon d'alimentation sous un tapis. Ne recouvrez pas le cordon avec des carpettes, des tapis de couloir ou autres revêtements similaires. Évitez de placer le cordon dans un endroit passant ou à un endroit où il risque de causer des chutes.
- Branchez seulement dans une prise de courant adéquatement mise à la terre.
- N'insérez pas d'objets dans les ouvertures d'entrée d'air ou de sortie d'air puisque cela risque d'endommager l'appareil ou causer des chocs électriques ou un incendie.
- Il est normal que votre appareil électrique produise du bruit, surtout s'il est installé dans un endroit calme comme un chambre à coucher.

 **AVERTISSEMENT**

- Pour prévenir les risques d'incendie, ne bloquez pas les entrées d'air et les sorties d'air de quelque manière que ce soit. Ne placez pas cet appareil sur une surface molle telle qu'un tapis où les ouvertures pourraient se bloquer.
- Cet appareil a été testé et homologué pour usage avec les accessoires optionnels listés dans ce manuel uniquement. L'utilisation d'accessoires optionnels qui n'ont pas été spécifiquement testés pour cet appareil électrique annulera la garantie de l'appareil et/ou présentera des risques pour la sécurité.

Pour les appareil équipé avec chauffage:

- Risque de brûlures. L'appareil doit être éteint et refroidi avant d'effectuer l'entretien. Pour débrancher l'appareil, mettez d'abord les boutons de contrôle à « OFF » puis retirez la fiche de la prise de courant.
- Les jeunes enfants doivent être supervisés attentivement lorsqu'ils sont dans la même pièce que l'appareil recommandés s'il y a dans la maison des individus à risque. Les jeunes enfants et autres personnes sont sujets aux brûlures accidentelles. Une barrière de protection est recommandée s'il y a dans la maison des individus à risque. Afin de restreindre l'accès à l'appareil, installez une barrière de protection ajustable pour garder les jeunes enfants ou autres personnes à risque hors de la pièce et loin des surfaces chaudes.
- Les vêtements et autres matériaux combustibles ne doivent pas être posés sur l'appareil ou à proximité.
- En raison des températures élevées, l'appareil devrait être placé loin des endroits passants et loin des meubles et des rideaux.
- Assurez-vous de disposer de mesures de sécurité adéquates pour empêcher les jeunes enfants de toucher aux surfaces chaudes.
- Même lorsque l'appareil est éteint, la porte et l'écran demeureront chauds pendant un bon moment.
- Consultez votre détaillant local de foyer pour connaître les grillages de sécurité et les écrans offerts pour protéger les enfants des surfaces chaudes. Ces grillages de sécurité et ces écrans doivent être fixés au plancher.
- Assurez-vous de respecter les dégagements aux matériaux combustibles lorsque vous installez un manteau ou des tablettes au-dessus de l'appareil. Les téléviseurs et autres composants électroniques soumis à des températures élevées peuvent fondre, se déformer, se décolorer et entraîner des défaillances prématurées de ces appareils.

 **AVERTISSEMENT: Ce produit peut vous exposer à des substances chimiques incluant le plomb et les composés de plomb qui, selon l'État de Californie, causeraient le cancer, et des substances chimiques incluant le BBP et DEHP qui, selon d'État de Californie, causeraient des malformations congénitales ou autres dangers pour la reproduction. Pour de plus amples renseignements, visitez le www.P65Warnings.ca.gov.**

table de matières

FR

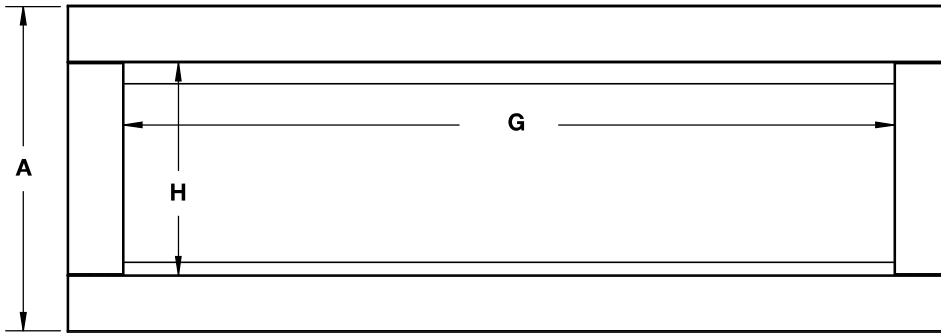
1.0	informations générales	35
1.1	dimensions	35
1.2	informations sur le produit	36
1.3	instructions générales	36
1.4	liste des pièces	36
1.5	déballage de l'appareil	37
1.6	informations de la plaque signalétique	37
1.7	boutons aimantés	38
2.0	installation	39
2.1	emplacement de l'appareil	39
2.2	mise à la terre de l'appareil	40
2.3	espace minimum requis pour les matériaux combustibles	40
2.4	espace minimum requis pour le manteau	40
2.5	cadre	41
2.6	installation de l'appareil	42
3.0	caractéristiques électriques	44
3.1	schéma de câblage	44
3.2	installation du raccordement câblé	45
3.3	raccordement câblé	46
4.0	finitions	47
4.1	retrait/installation de l'écran frontal	47
4.2	retrait/installation de la vitre	47
4.3	installation des décorations	48
4.3.1	installation des pierres de rivière et du bois flotté	48
4.3.2	installation des galets blancs	48
5.0	mode d'emploi	49
5.1	interrupteur principal	49
5.2	utilisation du panneau tactile et de la télécommande	49
5.3	timer settings on remote control	52
5.3.1	réglage de la date et l'heure	52
5.3.2	réglage des temps d'allumage et de la température par cycle hebdomadaire	52
5.4	détection de fenêtre ouverte	53
6.0	entretien	54
6.1	nettoyage	54
7.0	pièces de rechange	55
7.1	vue d'ensemble	56
8.0	accessoires	57
8.1	accessoires	57
9.0	guide de dépannage	58
10.0	garantie	59

Remarque :

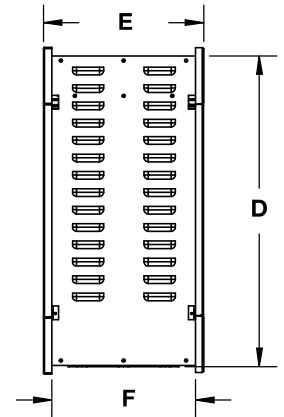
Les informations contenues dans ce manuel sont considérées comme étant correctes au moment de l'impression. Wolf Steel Ltd se réserve le droit de changer ou de modifier toute information présente dans ce manuel, à tout moment et sans préavis. Toute modification, autre qu'éditoriale, est signalée par une ligne verticale dans la marge.

1.1 dimensions

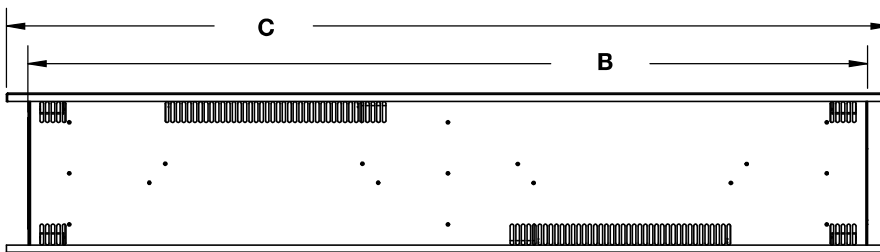
vue de face



vue latérale droite



vue de dessus



A	B	C	D	E	F	G	H
18 3/8" (467mm)	47 9/16" (1208mm)	50" (1270mm)	17 5/8" (447mm)	9 1/16" (231mm)	8 1/8" (207mm)	43 5/8" (1108mm)	12 1/16" (306mm)

informations générales

FR

1.2 informations sur le produit

Cet appareil a été testé selon les normes CSA pour appareils de chauffage électriques installés de façon permanente aux États-Unis et au Canada. En cas d'aide requise pendant l'installation, contacter votre détaillant local.

	NEFBD50HE-EU
Description	Appareil électrique double face
Type	Appareil électrique
Tension	220-240 V CA
Watts	1 750 - 2 000 W
Ampères	Circuit mis à la terre dédié de 15 A
Poids net	101,4 livres (46 kg)
Poids brut	131,2 livres (59,5 kg)

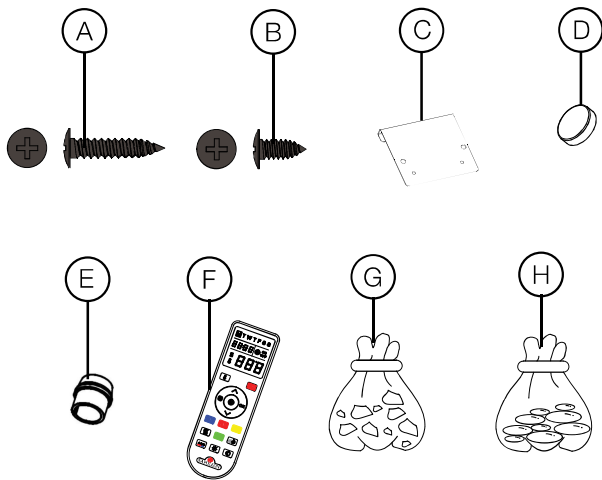
1.3 instructions générales

- Il est possible que l'appareil dégage une légère odeur inoffensive lors de la première utilisation. Cela est une condition normale causée par le chauffage initial des éléments de l'appareil. Elle ne se reproduira plus.
- Si votre appareil n'émet pas de chaleur lorsqu'il est sollicité, consultez la section « fonctionnement » de ce manuel pour de plus amples renseignements.
- Utilisez avec un limiteur de surtension certifié CSA ou UL.

Cet appareil électrique répond aux normes de construction et de sécurité du H.U.D. pour des applications dans des maisons préfabriquées lorsqu'il est installé selon ces instructions.

Comme la plupart des dispositifs électroniques, cet appareil électrique a été conçu pour fonctionner entre 5 °C (41 °F) et 35 °C (95 °F). Durant les mois d'hiver généralement plus froids, laissez l'appareil atteindre la température ambiante avant de l'allumer.

1.4 liste des pièces



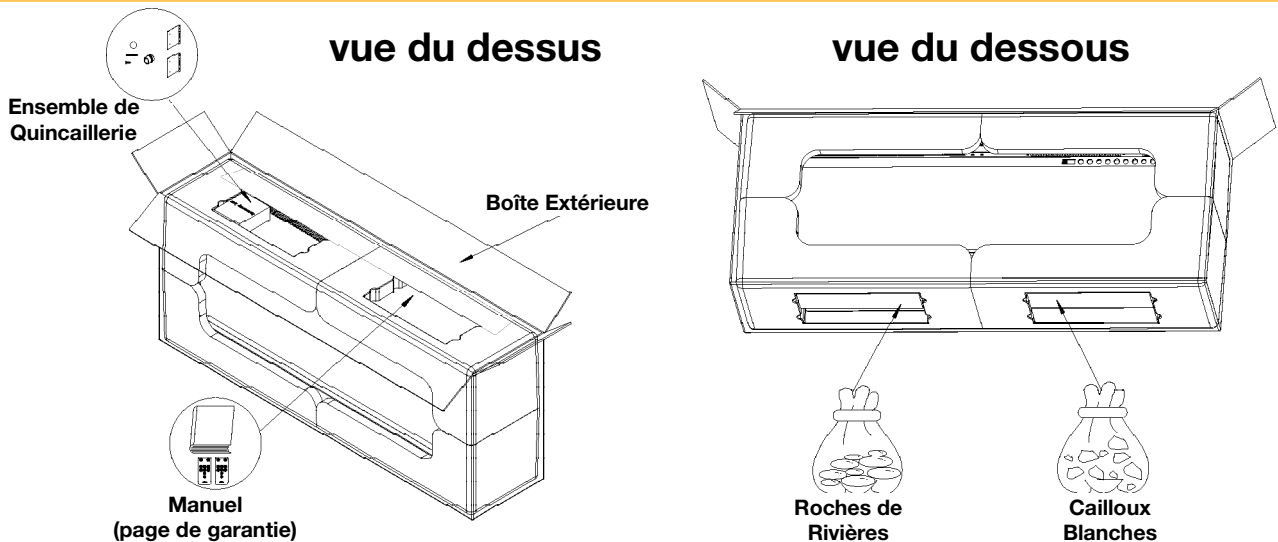
Réf.	Description	Quantité
A	Vis à métal (noires)	4
B	Vis à métal (noires)	12
C	Support de fixation	2
D	Boutons aimantés	8
E	Serre-câble	1
F	Télécommande	2
G	Galets blancs	2 sacs
H	Pierres de rivière	2 sacs
I	Bois flotté	2 lots



1.5 déballage de l'appareil

⚠ AVERTISSEMENT

- Veiller à retirer délicatement l'appareil de la boîte.



Remarque :

L'appareil est livré avec des panneaux de fibres à densité moyenne (panneaux MDF) installés sur les côtés. Voir la section « Installation de l'appareil » pour en savoir plus sur la manière de les retirer.

1.6 informations de la plaque signalétique

ELECTRIC FIREPLACE. SUITABLE FOR BEDROOM AND BED-SITTING ROOM INSTALLATION. SUITABLE FOR MOBILE HOME INSTALLATION.

VOLTAGE: 220-240 VAC
 FREQUENCY: 50Hz
 POWER: 1750-2000W
 DATE CODE: XXXXX

MODELS

NEFBD50HE-EU CEFBD50HE-EU

Manufacturer: Wolf Steel Ltd.
 24 Napoleon Road,
 Barrie, ON, L4M 0G8 Canada

Importer: Wolf Steel Europe BV
 De Riemsdijk 22, 4004 LC Tiel,
 The Netherlands

DESIGNED IN NORTH AMERICA
 BY WOLF STEEL LTD.
 MADE IN CHINA

SERIAL NUMBER: NEFBD000000 W385-2593

CE, TÜV Rheinland ZERTIFIZIERT, GS, RoHS, Reach, www.tuv.com ID: 1418043001

L'illustration n'est présentée qu'à titre de référence. Pour des informations précises à propos de l'appareil, consulter la plaque signalétique.

Remarque :

La plaque signalétique doit toujours rester à proximité de l'appareil. Elle ne doit pas être retirée.

informations générales

FR

1.7 boutons aimantés

Votre appareil est équipé de boutons aimantés (voir les sections « Liste des pièces » et « Pièces de rechange » pour en savoir plus). **Ces boutons ont une fonction décorative uniquement, il n'est donc pas obligatoire de les installer.**

En cas d'utilisation, placer les boutons aimantés aux quatre coins du cadre de l'appareil (**Fig. 1-1**). Éviter de les faire glisser, car cela peut rayer la surface peinte.

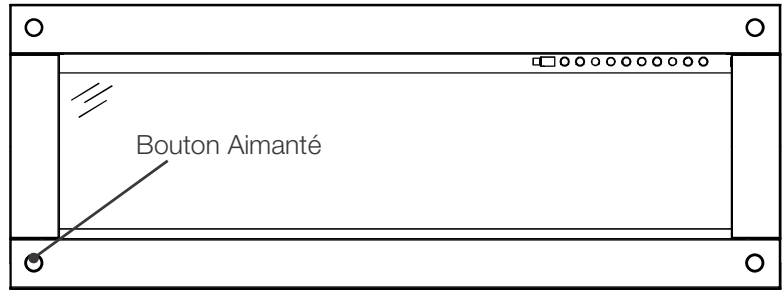


Fig. 1-1

! AVERTISSEMENT

- Risque d'incendie! Le cordon d'alimentation ne doit pas être coincé contre une arrête vive. Fixez le cordon pour éviter les chutes ou les accrochages afin de réduire le risque d'incendie, de choc électrique ou de blessures corporelles. Ne passez pas le cordon d'alimentation sous un tapis. Ne recouvrez pas le cordon avec des carpettes, des tapis de couloir ou autres revêtements similaires. Évitez de placer le cordon dans un endroit passant ou à un endroit où il risque de causer des chutes.
- Risque d'incendie! Pour prévenir les risques d'incendie, ne bloquez pas les entrées d'air et les sorties d'air de quelque manière que ce soit. Ne placez pas cet appareil sur une surface molle où les ouvertures pourraient se bloquer.
- Risque d'incendie! Ne soufflez pas ou ne placez pas d'isolant contre l'appareil.
- Cet appareil électrique a été testé et homologué pour usage avec les accessoires optionnels listés dans ce manuel uniquement. L'utilisation d'accessoires optionnels qui n'ont pas été spécifiquement testés pour cet appareil électrique annulera la garantie de l'appareil et/ou présentera des risques pour la sécurité.
- Si ces instructions ne sont pas suivies à la lettre, un incendie ou une explosion pourraient s'ensuivre, causant des dommages matériels, des blessures corporelles ou des pertes de vie. N'entreposez pas et n'utilisez pas d'essence ou autres vapeurs inflammables à proximité de cet appareil ou tout autre appareil.
- Étant donné la lourdeur de cet appareil, il est recommandé que deux personnes en fassent l'installation.
- Si votre appareil est équipé avec chauffage, assurez-vous que les ouvertures de la chauffage ne peut pas, dans aucune façon, être recouverts car il peut provoquer un incendie.
- N'exécutez pas le cordon d'alimentation horizontalement, directement en dessous de l'appareil.

Il s'agit d'un appareil électrique double face à installer dans un mur. Choisir un emplacement adapté, à l'abri de l'humidité, sans passages fréquents et sans meubles et tissus à proximité.

Remarque :

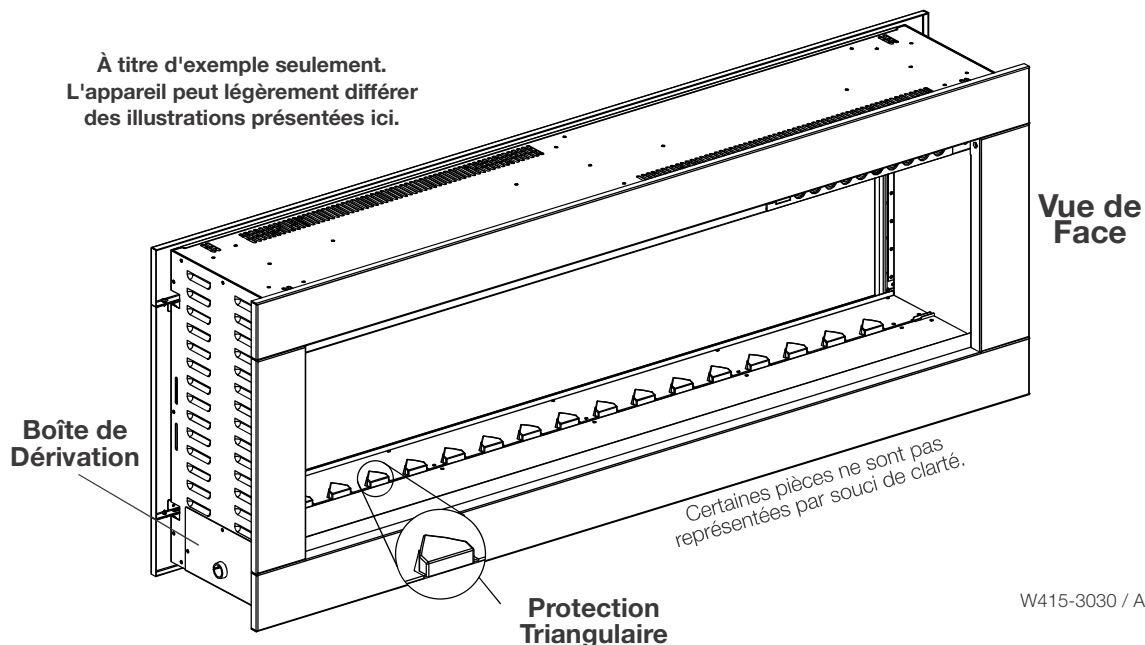
Suivre toutes les réglementations électriques locales et nationales.

2.1 emplacement de l'appareil

! AVERTISSEMENT

- En raison des températures élevées qu'il produit, cet appareil électrique ne doit pas être placé dans une zone de passages fréquents. Maintenir toute matière combustible, tels que des meubles, des coussins, des draps, du papier, des habits, des rideaux et autres objets similaires à au moins 91,4 cm (36") de l'avant de l'appareil.
- Ne jamais placer cet appareil électrique dans une position où il pourrait tomber dans une baignoire ou un autre récipient d'eau.
- Porter des gants et des lunettes de protection pendant l'installation et la maintenance.
- Afin d'éviter tout contact avec un affaissement ou une partie détachée de l'isolant, l'appareil électrique ne doit pas être installé contre un pare-vapeur ou un isolant exposé. Une surchauffe localisée pourrait se produire, risquant d'entraîner un incendie.
- L'appareil électrique ne doit pas être exposé aux éléments (pluie, etc.).

Pour identifier la face avant de l'appareil, vérifier que la boîte de dérivation se situe sur le côté gauche de l'appareil et que les protections triangulaires se trouvent de l'autre côté du foyer (voir ci-dessous).



installation

FR

2.2 mise à la terre de l'appareil

! AVERTISSEMENT

- Cet appareil fonctionne avec une tension de 220 volts ou 240 volts.
- Il est **obligatoire** de recourir à une source d'alimentation équipotentielle ou mise à la terre.
- Cet appareil doit être connecté à un circuit dédié de 15 A. Il est **INTERDIT** d'utiliser une rallonge électrique.

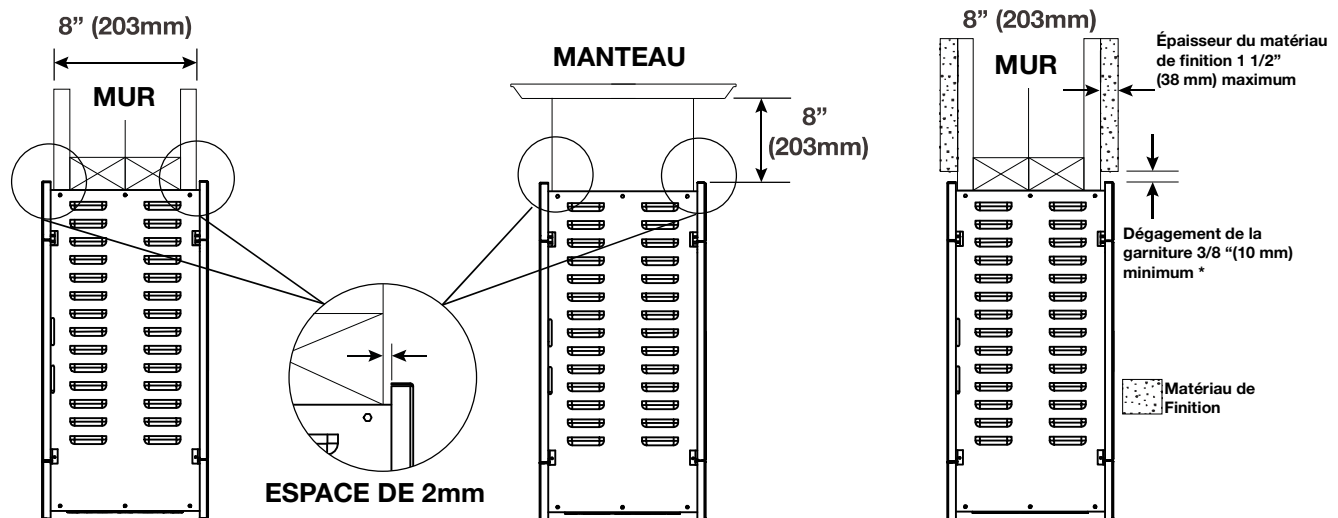
2.3 espace minimum requis pour les matériaux combustibles

Les mesures sont prises à partir du corps de l'écran frontal	
Bas	0 mm
Côtés	0 mm
Avant/Arrière	36" (914 mm)
Manteau de cheminée	8" (203 mm)

2.4 espace minimum requis pour le manteau

! AVERTISSEMENT

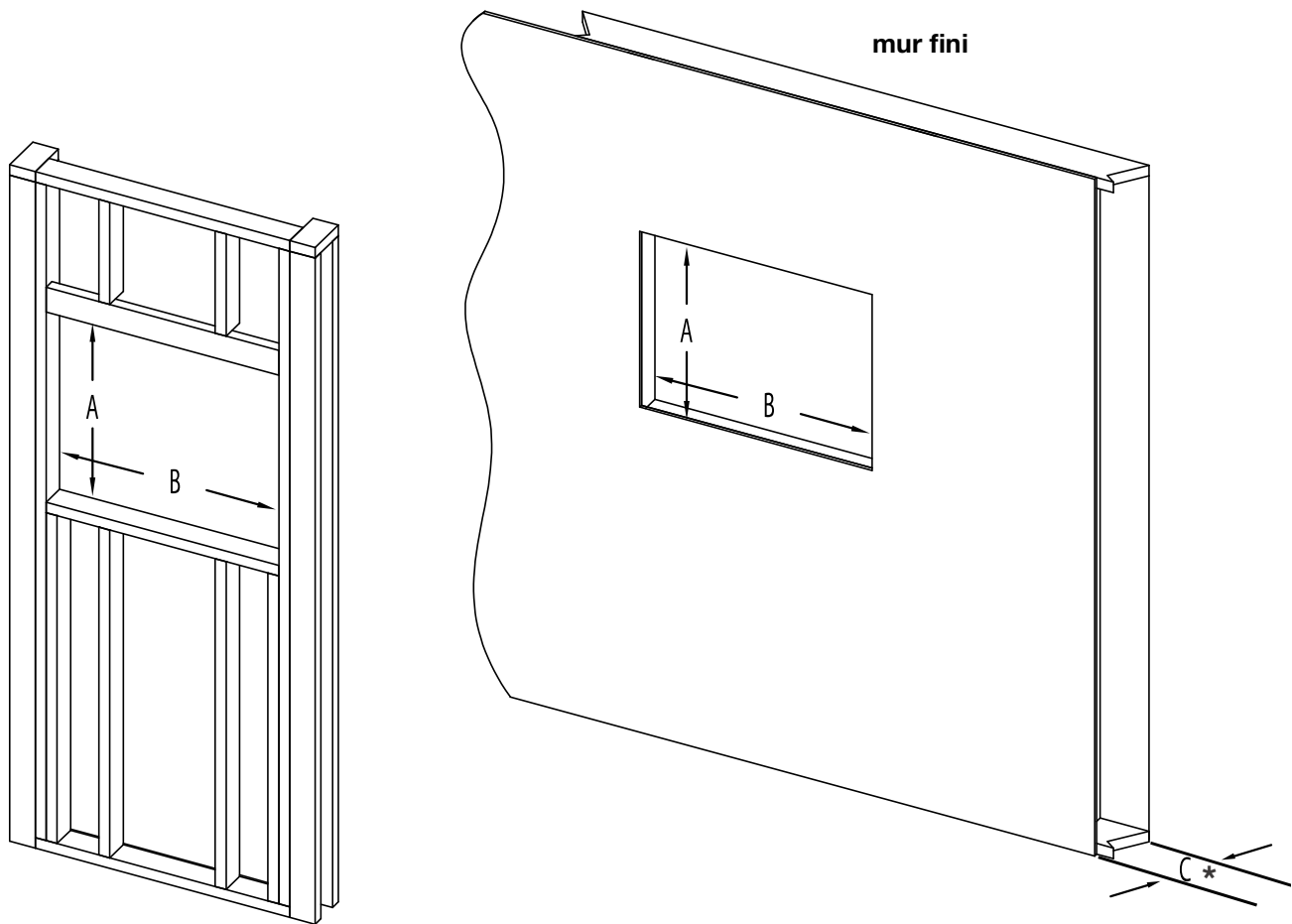
- En cas d'utilisation de peinture ou de laque pour les finitions du manteau, s'assurer que ces produits sont résistants à la chaleur afin d'éviter une décoloration.



Remarque :

* Si des matériaux de finition sont installés en plus de la paroi de 203 mm (8"), un espace de 10 mm (3/8") doit être conservé au sommet de l'écran pour permettre l'entretien de l'appareil.

2.5 cadre



A	17 15/16" (456mm)
B	49" (1245mm)
C	8" (203mm) max.
	4 1/2" (114mm) ** min

Important :

* Cette mesure tient compte de l'épaisseur des matériaux de finition.

** Écran de finition profond disponible pour cette épaisseur de mur (voir la section « Accessoires »).

installation

FR

2.6 installation de l'appareil

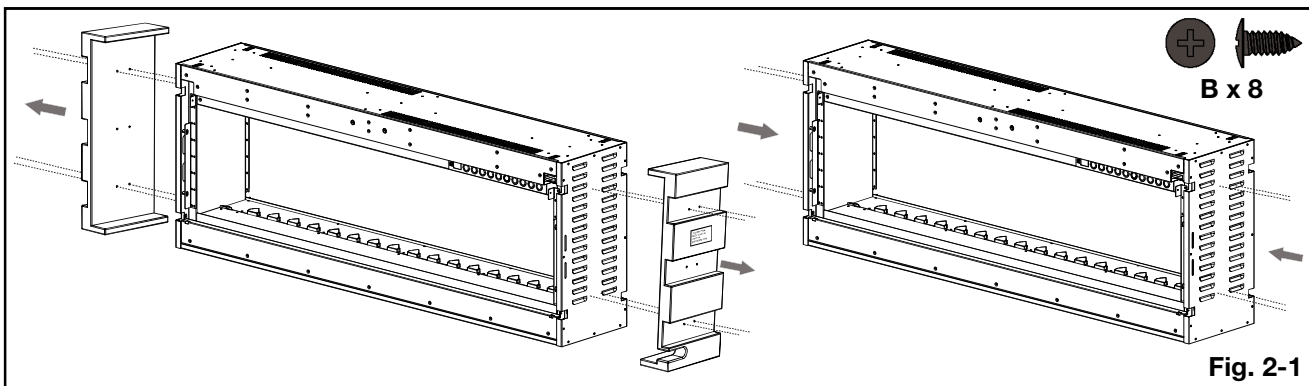
Remarque :

Il est recommandé que les cloisons de l'espace où est encastré l'appareil soient achevées et couvertes (placoplâtre) afin d'éviter que l'isolant ou le pare-vapeur n'entre en contact avec l'appareil. L'espace minimum requis pour les matériaux combustibles est ainsi respecté.

L'utilisation de chevilles n'est pas requise pour la fixation dans un montant.

L'utilisation d'un embout de tournevis aimanté est recommandée pour l'installation afin d'éviter que des vis ne tombent dans l'appareil.

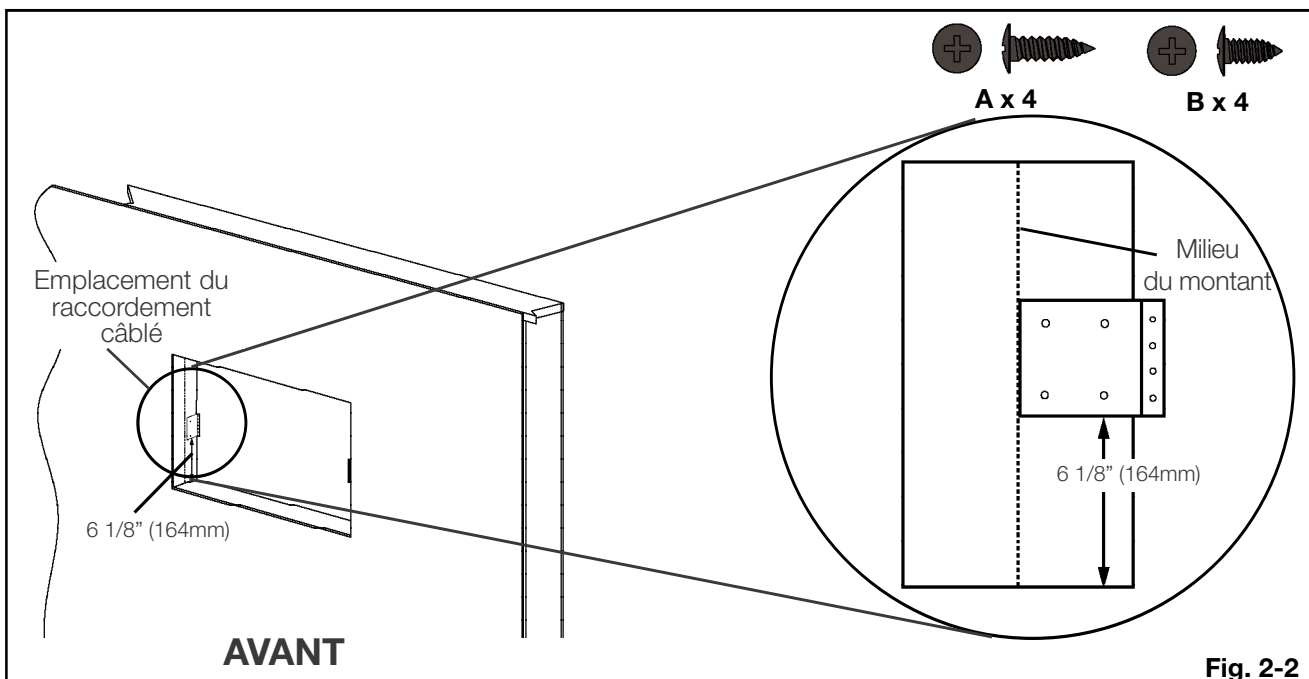
- A. Construire une ouverture (voir la section « Cadre » pour en savoir plus).
- B. Réaliser les raccordements câblés sur la gauche de la face avant désignée.
- C. Retirer les écrans frontaux de l'appareil (voir la section « Retrait/Installation de l'écran frontal »).
- D. Retirer la vitre avant de l'appareil (voir la section « Retrait/Installation de la vitre »).
- E. Retirer les deux extrémités des supports MDF de l'appareil en enlevant les vis. Jeter les deux panneaux MDF. Utiliser 4 vis neuves (fournies) de chaque côté pour remplir les trous de fixation des panneaux MDF (**Fig. 2-1**).



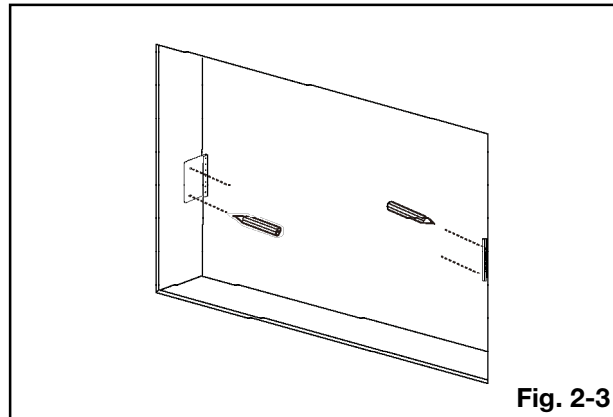
Remarque :

L'installation nécessite 2 supports de fixation situés dans des coins opposés. En regardant le montant depuis le centre de l'ouverture, les supports doivent dépasser sur la droite (**Fig. 2-2**).

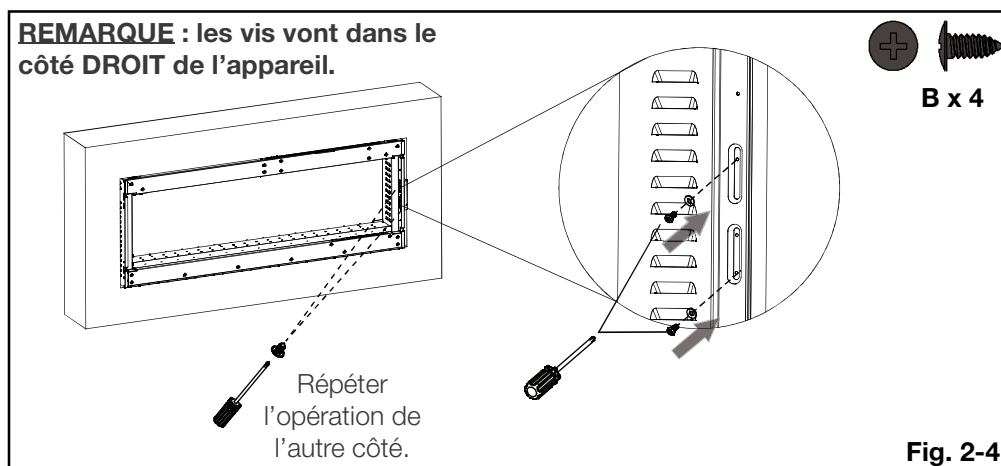
- F. Marquer le milieu de la tranche de l'ouverture murale sur le montant vertical et installer les supports de fixation en alignant le côté du support avec la marque centrale. Mesurer une distance de 164 mm (6 1/8") entre le bas du support et le bas de l'ouverture (**Fig. 2-2**).



- G.** Marquer l'emplacement des trous du support de fixation. Vérifier que les marques des trous se trouvent sur les côtés opposés, car les supports ne peuvent pas être fixés du même côté (**Fig. 2-3**).


Fig. 2-3

- H.** Percer les trous et fixer les supports à l'aide de vis (fournies).
- I.** Placer l'appareil dans l'ouverture et le positionner de sorte que les raccordements câblés puissent être effectués (voir la section « Raccordement câblé »).
- J.** Placer l'appareil entier dans l'ouverture et le positionner contre les supports de fixation. Aligner les trous de fixation du support avec les fentes situées sur le côté de l'appareil, puis visser à travers les fentes pour fixer l'appareil sur les supports. Répéter l'opération de l'autre côté (**Fig. 2-4**).



- K.** Installer les décorations (voir la section « Installation des décorations »).
- L.** Replacer la vitre et l'écran frontal (voir les sections « Retrait/Installation de la vitre » et « Retrait/Installation de l'écran frontal »).

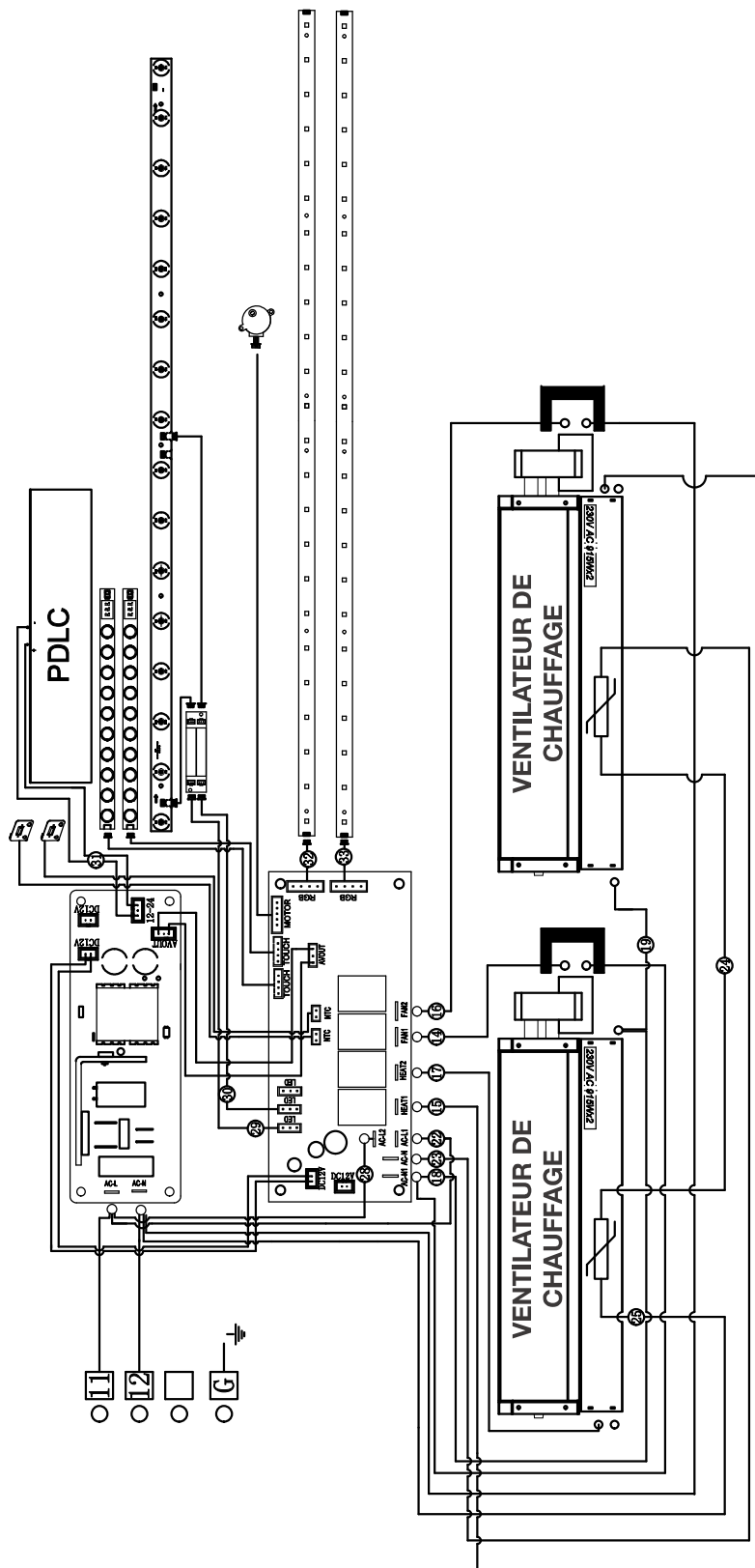
3.0 caractéristiques électriques

FR

3.1 schéma de câblage

! AVERTISSEMENT

- Avant tout entretien, éteindre l'appareil et attendre qu'il refroidisse. L'entretien et la réparation de cet appareil électrique ne doivent être effectués que par un professionnel.



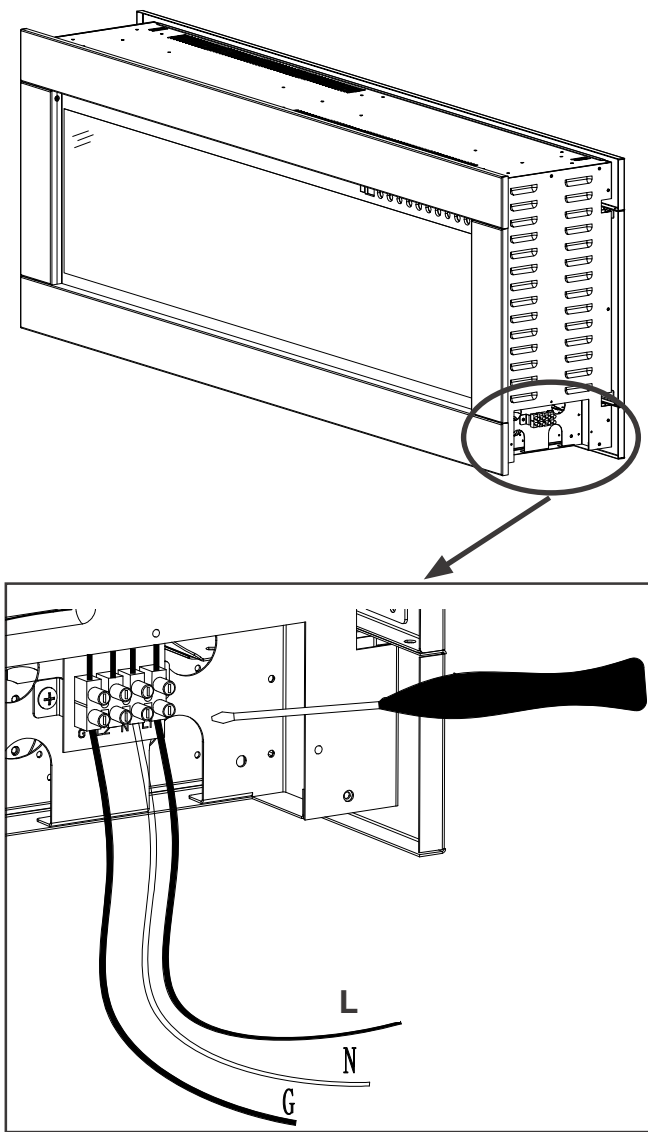
3.2 installation du raccordement câblé

⚠ AVERTISSEMENT

- Coupez l'alimentation électrique à l'appareil et laissez-le refroidir avant d'effectuer un entretien. Seulement un technicien de service qualifié peut effectuer l'entretien ou la réparation de cet appareil électrique.

Installation du raccordement câblé

Cet appareil doit être raccordé par un câble. Un électricien qualifié doit raccorder l'appareil directement au circuit électrique domestique.



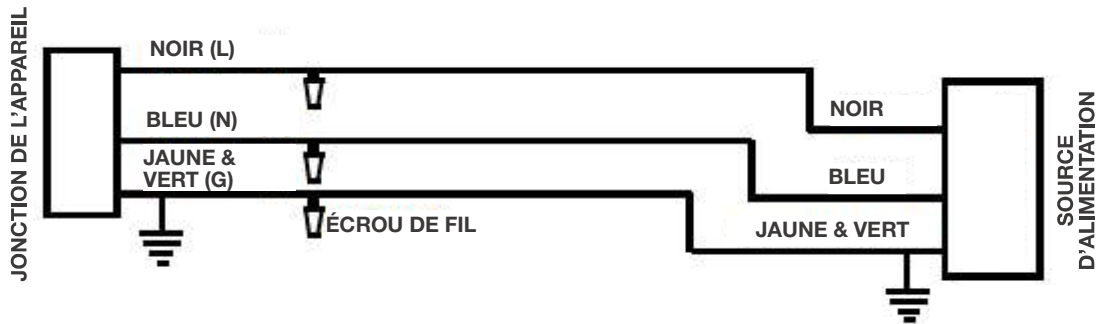
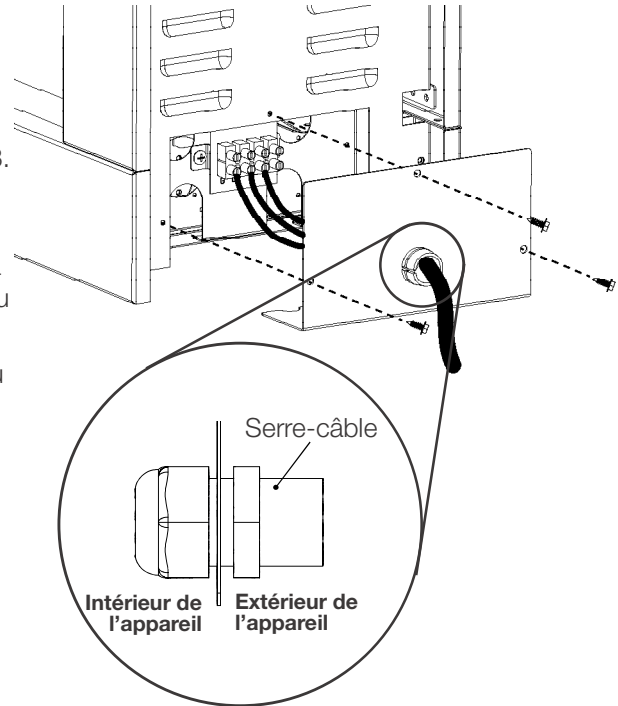
Raccordement câblé

caractéristiques électriques

FR

3.3 raccordement câblé

- A. Retirer la plaque de recouvrement en enlevant les 3 vis. Mettre les vis de côté.
- B. Ajouter un serre-câble et faire passer les fils d'alimentation par l'ouverture de 22 mm (7/8") à partir du bornier. Utiliser au minimum un fil 14AWG/3.
- C. Desserrer les vis de fixation du bornier pour le fil jaune et vert (G). Insérer le fil jaune et vert (G) ou le fil de cuivre dénudé de l'alimentation électrique dans la fente prévue (G) du bornier. Fixer en serrant les vis au niveau des fentes (G).
- D. Desserrer les vis de fixation du bornier pour le fil bleu (N). Insérer le fil bleu (N) de l'alimentation électrique dans la fente prévue (N) du bornier. Fixer en serrant les vis au niveau des fentes (N).
- E. Desserrer les vis de fixation du bornier pour le fil noir (L). Insérer le fil noir (L) de l'alimentation électrique dans la fente prévue (L) du bornier. Fixer en serrant les vis au niveau des fentes (L).
- F. Remettre la plaque en place.



Remarque :

Laisser une longueur de câble suffisante pour qu'il soit possible de retirer l'appareil de son enceinte afin d'accéder aux raccordements câblés.

Si les raccordements ne sont pas effectués correctement, l'appareil ne fonctionnera pas et émettra un signal sonore (c.-à-d. un bip).

4.1 retrait/installation de l'écran frontal

⚠ AVERTISSEMENT

- Avant de retirer ou d'installer l'écran frontal ou la vitre, débrancher l'appareil et attendre qu'il soit froid au toucher.
- L'écran est lourd et fragile. Manipuler avec précaution.

Remarque :

Les étapes de retrait/installation sont identiques pour les deux côtés de l'appareil (c.-à-d. avant et arrière).

- Retirer les 2 vis qui maintiennent l'écran frontal en place (**Fig. 4-1**). Mettre les vis de côté.
- Se mettre à 2 personnes pour soulever l'écran frontal et le retirer des crochets situés dans le foyer (**Fig 4-2**). Le placer à plat sur une surface douce et non abrasive.
- Suivre ces étapes dans le sens inverse pour installer l'écran.

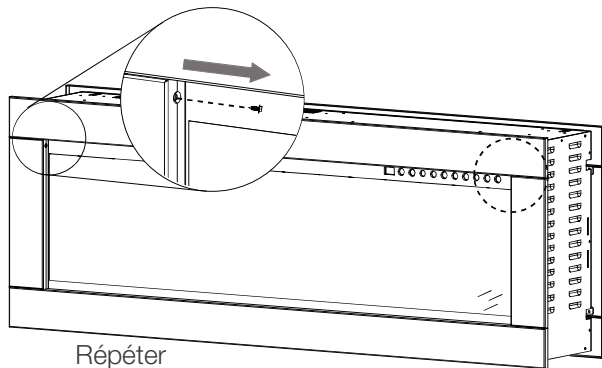


Fig. 4-1



Fig. 4-2

4.2 retrait/installation de la vitre

- Retirer les 5 vis qui maintiennent la vitre en place (**Fig. 4-3**).
- Se mettre à 2 personnes pour soulever la vitre et la retirer des parois latérales (**Fig. 4-4**). La placer à plat sur une surface douce et non abrasive.
- Suivre ces étapes dans le sens inverse pour installer la vitre.

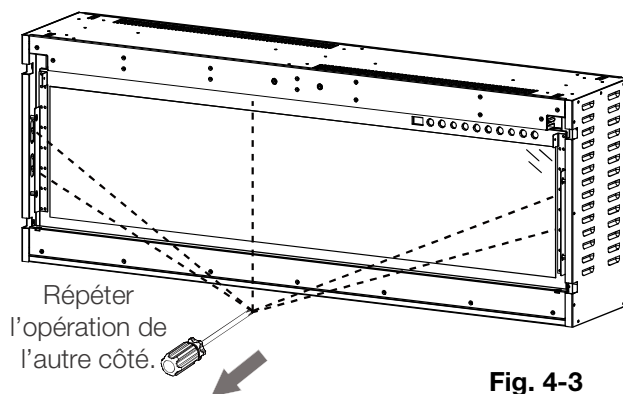


Fig. 4-3

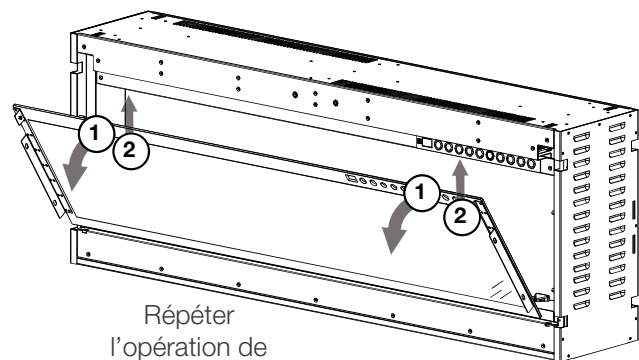


Fig. 4-4

4.3 installation des décorations

Il existe deux options de décoration pour cet appareil : pierres de rivière et bois flotté, ou galets blancs. Voir les informations ci-dessous pour l'installation.

4.3.1 installation des pierres de rivière et du bois flotté

La vitre avant doit être retirée et l'appareil doit être fixé à son emplacement définitif avant l'installation des pierres de rivière et du bois flotté.

1. Placer délicatement les pierres de rivière dans le bac du foyer, à l'avant et à l'arrière de l'appareil.
2. Les répartir uniformément sur toute la longueur.
3. Placer les morceaux de bois flotté au-dessus des pierres de rivière, comme indiqué sur l'illustration (**Fig. 4-5**).

Remarque :

Ne PAS couvrir les protections triangulaires de la face arrière de l'appareil. Recouvrir ces protections avec des décorations entraîne une modification de l'apparence de la flamme (**Fig. 4-6**).



Fig. 4-5

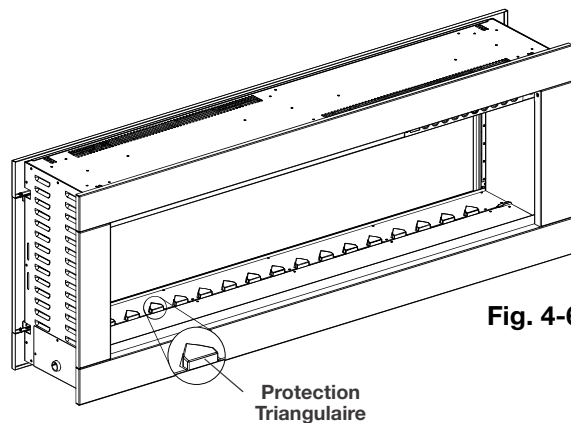


Fig. 4-6

4.3.2 installation des galets blancs

La vitre avant doit être retirée et l'appareil doit être installé à son emplacement définitif avant d'installer les galets blancs.

1. Placer délicatement les galets blancs dans le bac du foyer, à l'avant et à l'arrière de l'appareil.
2. Les répartir uniformément sur toute la longueur (**Fig. 4-7**).

Remarque :

Ne PAS couvrir les protections triangulaires de la face arrière de l'appareil. Recouvrir ces protections avec des décorations entraîne une modification de l'apparence de la flamme (**Fig. 4-6**).



Fig. 4-7

! AVERTISSEMENT

- Ne pas retirer l'écran pendant que l'appareil est en marche. Une telle action entraînera le dysfonctionnement de la télécommande et du panneau tactile.

Une fois raccordé à une source d'alimentation dédiée de 220-240 V, l'appareil est prêt à fonctionner.

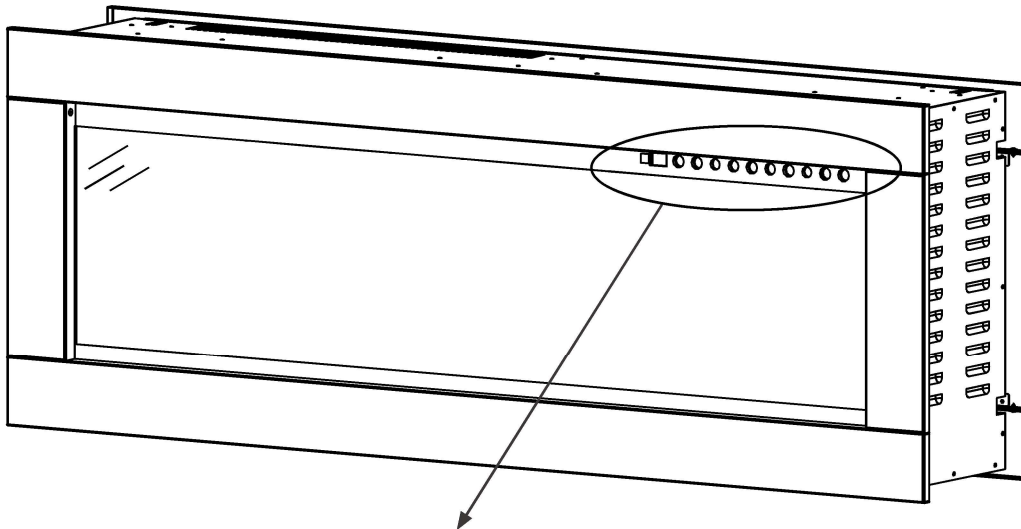
Remarque :

Il est nécessaire de s'assurer que les disjoncteurs d'alimentation du domicile sont en marche (vers le haut). En cas de coupure d'électricité, l'appareil perdra sa fonction mémoire et se réinitialisera selon les paramètres d'origine une fois le courant rétabli.

5.1 interrupteur principal

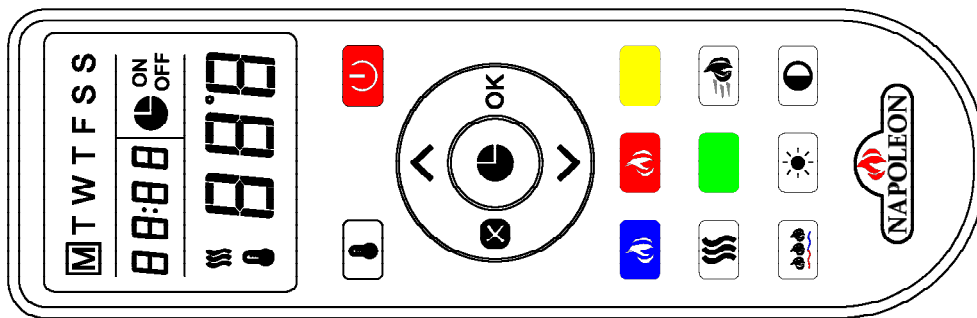
L'interrupteur principal est situé dans le coin supérieur droit du panneau en verre.

5.2 utilisation du panneau tactile et de la télécommande



Panneau tactile

À titre d'exemple seulement. L'apparence du panneau tactile peut différer de celle représentée sur les illustrations.



Télécommande

note:

Les boutons sans icônes doivent être considérés comme des boutons sans aucune fonction.

mode d'emploi






FR

Remarque :






Lorsque seul le **chauffage** est en marche (c.-à-d. aucune flamme, aucune lumière, etc.), la fenêtre d'affichage est faiblement éclairée et affiche H1 ou la température définie.

Lorsque seule la **soufflerie** est en marche, (c.-à-d. aucune flamme, aucune lumière, etc.), la fenêtre d'affichage est faiblement éclairée et affiche FAN (soufflerie).

Après l'extinction du chauffage, le ventilateur continue de tourner pendant 10 secondes afin d'évacuer la chaleur de l'appareil et de faire diminuer la température.

Alimentation		Allume et éteint l'appareil.
Commande du vitrage opacifiant		Contrôle le vitrage opacifiant Modes : G-1 - Mode semi-transparent (par défaut) G-2 - Mode transparent G-0 - Mode opaque Maintenir le bouton appuyé pendant 5 secondes pour verrouiller/déverrouiller le vitrage opacifiant au statut G-0. Lorsqu'il est déverrouillé, l'appareil revient au mode G-1 (par défaut).
Flamme orange		Contrôle l'intensité lumineuse de la flamme orange. Modes : OF4 - Intensité maximale de la flamme OF3 - Intensité forte de la flamme OF2 - Intensité faible de la flamme OF1 - Intensité minimale de la flamme OF0 - Flamme éteinte
Flamme bleue		Contrôle l'intensité lumineuse de la flamme bleue. Modes : BF4 - Intensité maximale de la flamme BF3 - Intensité forte de la flamme BF2 - Intensité faible de la flamme BF1 - Intensité minimale de la flamme BF0 - Flamme éteinte
Intensité lumineuse du lit de braises		Contrôle l'intensité lumineuse du lit de braises. REMARQUE : si la couleur du lit de braise est définie sur L16, son intensité lumineuse ne peut pas être modifiée. Modes : B-5 - Augmentation et diminution graduelles B-4 - Intensité maximale B-3 - Intensité forte B-2 - Intensité faible B-1 - Intensité minimale B-0 - Éteint





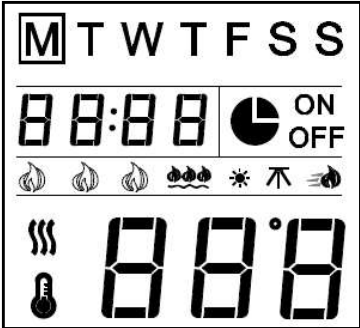
Suite à la page suivante →

<p>Couleur du lit de braises</p>		<p>Contrôle la lumière du lit de braises.</p> <p>REMARQUE : l'intensité lumineuse du lit de braises doit être définie entre B-4 et B-1 pour pouvoir en modifier la couleur.</p> <p>Modes : L01 - Orange L02 - Rouge L03 - Bleu L04 - Jaune L05 - Vert L06 - Violet L07 - Bleu ciel L08 - Violet rouge L09 - Blanc L10 - Rose L11 - Jaune vert L12 - Bleu glacier L13 - Orange rouge L14 - Vert clair L15 - Magenta L16 - Alternance automatique L17 - Verrouillage d'une couleur pendant le cycle L16</p>
<p>Vitesse de la flamme</p>		<p>Contrôle la vitesse de la flamme.</p> <p>Modes : S-3, S-4, S-5, S-1, S-2</p>
<p>Chauffage</p>		<p>Allume/éteint le chauffage et la soufflerie.</p> <p>Modes : H-0 - Chauffage et soufflerie éteints FAN - Soufflerie allumée H-1 - Chauffage allumé (1 000 W de chaque côté) LOC - Verrouillage du chauffage et du thermostat</p> <p>REMARQUE : maintenir le bouton du chauffage appuyé pendant 5 secondes pour verrouiller/déverrouiller le chauffage et le thermostat.</p> <p>REMARQUE : chaque côté de l'appareil possède une commande indépendante pour le chauffage.</p>
<p>Programmateur</p>		<p>Programme la minuterie.</p> <p>Modes : 30M (30 min), 1Hr (1 h), 2Hr (2 h), 3Hr (3 h), 4Hr (4 h), 5Hr (5 h), 6Hr (6 h), 7Hr (7 h), 8Hr (8 h).</p> <p>REMARQUE : la fenêtre affiche « --- » une fois les 9 modes de minuterie terminés.</p>
<p>Commande de température</p>		<p>Règle la température désirée.</p> <p>Modes : 18 °C (64 °F), 19 °C (66 °F), 20 °C (68 °F), 21 °C (70 °F), 22 °C (72 °F), 23 °C (74 °F), 24 °C (76 °F), 25 °C (78 °F), 26 °C (80 °F), 27 °C (82 °F) et OFF.s</p> <p>Pour passer de °C à °F et inversement, maintenir le bouton de commande de la température appuyé pendant 5 secondes.</p>





mode d'emploi

FR



5.3 timer settings on remote control

 Programmateur: Affiche le jour, l'heure et la semaine. Appuyer pour régler ou confirmer les paramètres du programmateur.		
OK Réglages: Appuyer pour passer à l'étape suivante (à utiliser avec le bouton Programmateur). Appuyer pour confirmer la programmation hebdomadaire.		
 Retour: Appuyer pour effacer les réglages du programmateur. Appuyer pour revenir à l'étape précédente (à utiliser avec le bouton Réglages).		
 Haut et Bas: À utiliser avec le bouton Réglages.		
Écran LCD		
Jour de la Semaine: _____ Mon. (lundi), Tues. (mardi), Wed. (mercredi), Thurs. (jeudi), Fri. (vendredi), Sat. (samedi), Sun. (dimanche)		Remarque: Ces fonctionnalités ne peuvent être modifiées que lorsque les lettres ou chiffres correspondants clignotent. Remarque: Définir le programmateur sur l'heure actuelle avant de modifier les réglages hebdomadaires.
Affichage de l'Heure: _____		
Heure/programmateur de 00:00 à 24:00 Remarque: 00-12:00 représente le matin / 13:00 - 24:00 représente l'après-midi/le soir.		

5.3.1 réglage de la date et l'heure

1. Appuyer une fois sur . Lorsque « MON » (lundi) se met à clignoter, utiliser  pour sélectionner le jour actuel. Appuyer sur OK pour confirmer.
2. Lorsque les chiffres de l'heure se mettent à clignoter, utiliser  pour sélectionner l'heure actuelle. Appuyer sur OK pour confirmer.
3. Lorsque les chiffres des minutes se mettent à clignoter, utiliser  pour sélectionner les minutes actuelles. Appuyer sur OK pour confirmer.

5.3.2 réglage des temps d'allumage et de la température par cycle hebdomadaire

1. Appuyer une fois sur . Lorsque « MON » (lundi) se met à clignoter, utiliser  pour sélectionner le jour actuel. Appuyer sur OK pour confirmer.



Remarque :

Le programmateur ne peut être réglé que par intervalles de 30 minutes (ex. : 00h00 - 00h30, 00h30 - 01h00, etc.).

2. Lorsque --:-- se met à clignoter, utiliser  pour sélectionner l'heure à laquelle allumer le chauffage. Appuyer sur OK pour confirmer. Appuyer à tout moment sur  pour effacer les chiffres et désactiver le mode « ON » du programmateur.
3. Lorsque « 18 » se met à clignoter, utiliser  pour sélectionner la température à laquelle allumer le chauffage le lundi.

Remarque :

Si la température a déjà été configurée, les chiffres correspondants s'afficheront à la place de « 18 ».

4. Lorsque --:-- se met à clignoter, utiliser  pour sélectionner l'heure à laquelle éteindre le chauffage. Appuyer sur OK pour confirmer. Appuyer à tout moment sur  pour effacer les chiffres et désactiver le mode « OFF » du programmateur.

5. Répéter les étapes 1 à 4 pour régler les temps de marche/arrêt (« ON/OFF ») et la température pour le mardi, mercredi, jeudi, vendredi, samedi et dimanche.
6. Appuyer sur OK pour valider la programmation, en pointant la télécommande sur le récepteur situé au centre de l'appareil. L'appareil émet un « bip » pour confirmer que la programmation a bien été enregistrée.

5.4 détection de fenêtre ouverte

Si la température de la pièce baisse de 10 degrés en l'espace de 3 minutes, l'appareil considère qu'une fenêtre est ouverte à proximité. Afin d'économiser de l'énergie, le chauffage passe automatiquement d'une chaleur élevée à une chaleur basse, ou bien s'éteint s'il est déjà réglé sur une chaleur basse.

Lorsqu'il passe du réglage High Heat (chaleur élevée) à Low Heat (chaleur basse), l'appareil émet 3 bips et le message « 88 » clignote trois fois sur l'écran numérique avant que le nouveau réglage du chauffage s'affiche.

Lorsqu'il est réglé sur une chaleur basse et qu'il s'éteint, l'appareil émet 3 bips et le message « 88 » clignote en continu sur l'écran numérique.

Pour réinitialiser la fonction de chauffage, consulter la section « Utilisation de la télécommande ».

6.0 entretien

FR

6.1 nettoyage

AVERTISSEMENT

- Toujours éteindre le chauffage et débrancher le câble d'alimentation avant de nettoyer, entretenir ou déplacer l'appareil. Le non-respect de ces instructions peut entraîner une électrocution, un incendie ou des dommages corporels.
- Ne jamais immerger dans l'eau ou asperger avec de l'eau. Le non-respect de ces instructions peut entraîner une électrocution, un incendie ou des dommages corporels.

Métal :

- Polir à l'aide d'un chiffon doux, légèrement imprégné d'un produit à base d'essence d'agrumes.
- Ne pas utiliser de produits de polissage pour laiton ou de nettoyage domestiques, car ils abîmeront le cadre métallique.

Verre :

- Utiliser un nettoyant de bonne qualité, pulvérisé sur un chiffon ou une serviette. Sécher complètement à l'aide d'une serviette en papier ou d'un chiffon non pelucheux.
- Ne jamais utiliser de nettoyants abrasifs, de liquides à pulvériser directement ou tout produit de nettoyage susceptible de rayer la surface.

Bouches d'aérations :

- Utiliser un aspirateur ou un plumeau pour retirer la poussière et la saleté du chauffage et des bouches d'aération.

Plastique :

- Essuyer délicatement à l'aide d'un chiffon légèrement imprégné d'une solution douce à base d'eau tiède et de liquide vaisselle.
- Ne jamais utiliser de nettoyants abrasifs, de liquides à pulvériser directement ou tout produit de nettoyage susceptible de rayer la surface.

AVERTISSEMENT

- Omettre de positionner les pièces conformément à ce manuel ou d'utiliser uniquement des pièces spécifiquement approuvées pour cet appareil peut causer des dommages matériels ou des blessures corporelles.

Contactez votre détaillant pour les questions concernant les prix et la disponibilité des pièces de remplacement. Normalement, toutes les pièces peuvent être commandées chez votre détaillant autorisé.

Pour un remplacement de pièce sous garantie, une photocopie de la facture originale sera requise afin de pouvoir honorer la demande.

Lorsque vous commandez des pièces, donnez toujours l'information suivante:

- Modèle et numéro de série de l'appareil
- Date d'installation de l'appareil
- Numéro de la pièce
- Description de la pièce
- Fini

Pièces, numéro des pièces et s'il soit disponible peut changer sans préavis.

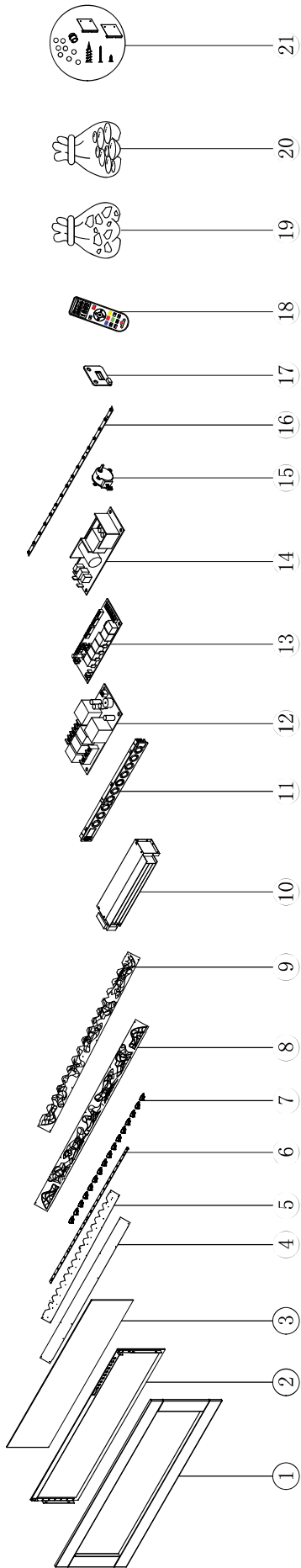
Parties identifiées comme garnie seront livrés dans 2 à 5 jours pour la plupart des destinations de livraison.

Pièces non identifiées que stockés seront livrés dans un délai de 2 à 4 semaines pour la plupart des cas.

Pièces identifiées comme « SO » sont commande spéciale et peuvent prendre jusqu'à 90 jours pour la livraison.

pièces de rechange

7.1 vue d'ensemble



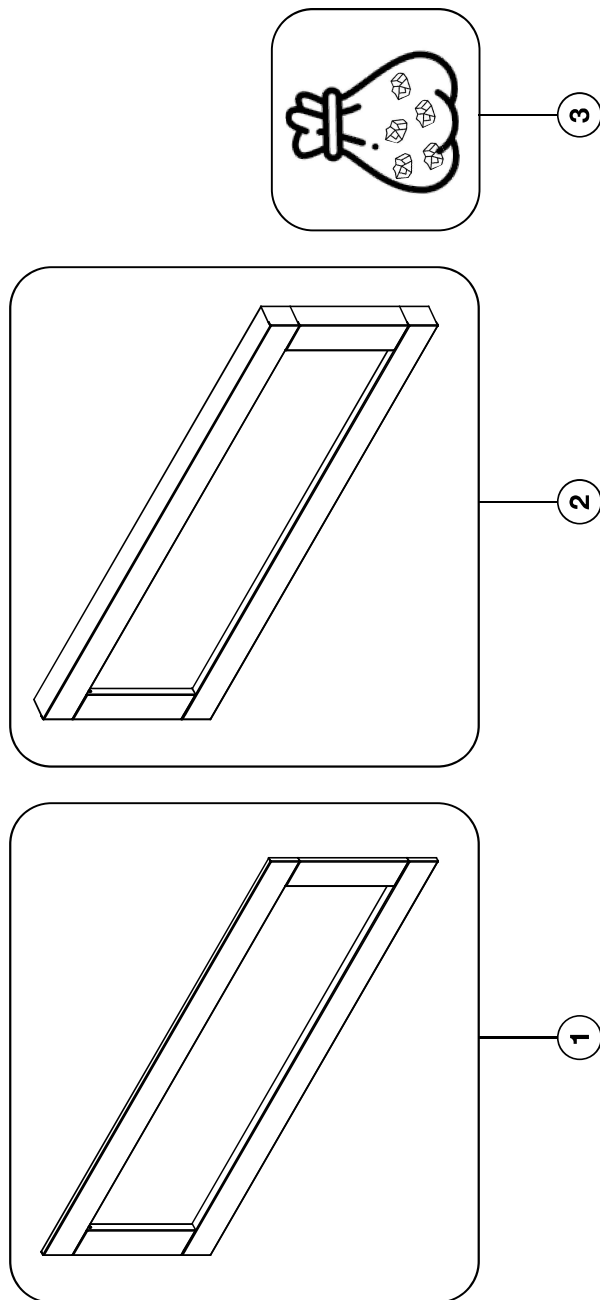
Ces articles peuvent différer de ceux illustrés.

Réf.	No. de Partie	Qté.	Description	En Stock	Réf.	No. de Partie	Qté.	Description	En Stock
1	W715-1227-SER	2	Garniture avant, noir	Oui	13	W190-0223	1	Planche PCB principale	Oui
2	W300-0313-SER	2	Verre avant	Oui	14	W190-0179-SER	1	Moteur pour verre intimité	Oui
3	W300-0314-SER	1	Verre intimité	Oui	15	W435-0090-SER	1	Moteur pas à pas	Oui
4	W497-1608-SER	1	Avant, plateau à média	Oui	16	W405-0083-SER	1	Lumière DEL pour flamme	Oui
5	W497-1609-SER	1	Arrière, plateau à média	Oui	17	W690-0021	2	Thermostat	Oui
6	W405-0085-SER	2	Bande de lumière DEL de lit de braise	Oui	18	W190-0224	2	Télécommande	Oui
7	W405-0084-SER	16	Protection triangulaire	Oui	19	W497-1634	2	Galets blancs	Oui
8	W135-0936-SER	1	Avant, ensemble de bûche	Oui	20	W497-1635	2	Roches de rivière	Oui
9	W135-0937-SER	1	Arrière, ensemble de bûche	Oui	21	W370-0191-SER	1	Ensemble de quincaillerie & support de montage	Oui
10	W010-5005	2	Assemblage de chauffage et ventilateur	Oui	22 **	W430-0023-SER	1	Boutons alimentés (x8)	Oui
11	W475-6144-SER	2	Panneau d'affichage tactile avec récepteur	Oui	23 *	W527-0042-SER	1	Réflecteur	Oui
12	W190-0180-SER	1	Planche de câblage PCB	Oui	24	W135-1023	2	Bûche de bois flotté n° 1	Oui
					25	W135-1024	2	Bûche de bois flotté n° 2	Oui
					26	W135-1025	2	Bûche de bois flotté n° 3	Oui
					27	W135-1026	2	Bûche de bois flotté n° 4	Oui
					28	W135-1027	2	Bûche de bois flotté n° 5	Oui

* Parties non illustrées.

** Ces boutons alimentés sont à des fins décoratives seulement. Ils doivent être placés dans les coins de la façade de l'appareil (voir la section « boutons alimentés » pour détails).

8.1 accessoires



Ces articles peuvent différer de ceux illustrés.

Réf.	No. de Pièce	Description	En Stock
1	NEFBD50HE-SS-TRIM	Garniture en acier inoxydable (x2)	Oui
2 *	NEFBD50HE-SS-DTRM	Garniture profonde en acier inoxydable (x2)	Oui
2 *	NEFBD50HE-DTRM	Garniture profonde noir (x2)	Oui
3 **	W497-0067-SER	Sac de cristaux, grand	Oui

* Pour utilisation avec les murs 4 1/2" (114mm) en épaisseur. Pour plus d'information, voir la section « ossature ».

** 5 cristaux par sac. Cet appareil nécessite 2 sacs.

9.0 guide de dépannage

FR

AVERTISSEMENT

- Avant tout entretien, éteindre l'appareil et attendre qu'il refroidisse. L'entretien et la réparation de cet appareil électrique ne doivent être effectués que par un professionnel.

Signe	Problème	Solution
L'appareil ne s'allume pas lorsque le bouton de mise en marche/ l'interrupteur est en position « CN ».	Le disjoncteur du domicile a sauté.	Réarmer le disjoncteur du domicile.
	Les raccordements câblés sont incorrects (le cas échéant).	Consulter la section « Installation de raccordements câblés ».
	L'appareil a surchauffé et l'interrupteur thermique de sécurité s'est déclenché.	Débrancher le câble d'alimentation ou éteindre le disjoncteur, laisser l'appareil refroidir pendant 15 minutes, puis brancher l'appareil ou allumer le disjoncteur.
L'appareil s'éteint et ne se rallume pas.	Le disjoncteur du domicile a sauté.	Réarmer le disjoncteur du domicile.
	Le fusible de l'appareil a sauté.	Remplacer le fusible.
L'appareil a surchauffé et l'interrupteur thermique de sécurité s'est déclenché.	L'appareil a surchauffé et l'interrupteur thermique de sécurité s'est déclenché.	Débrancher le câble d'alimentation ou éteindre le disjoncteur, laisser l'appareil refroidir pendant 15 minutes pour réinitialiser l'interrupteur thermique, puis brancher l'appareil ou allumer le disjoncteur.
	Problème au niveau du circuit imprimé principal.	Inspecter le circuit imprimé et remplacer si nécessaire.
L'appareil s'est réinitialisé sur les réglages par défaut.	Panne de courant.	Reprogrammer les réglages de l'appareil (ne s'applique pas à tous les appareils).
La télécommande ne fonctionne pas.	Piles déchargées/usagées.	Remplacer les piles de la télécommande.
	Défaillance du récepteur de télécommande.	Vérifier que rien n'obstrue le récepteur de la télécommande. Remplacer le panneau de commande.
L'appareil ne produit pas d'air chaud.	Le réglage du chauffage n'est pas sélectionné.	Consulter la section « Mode d'emploi ».
	Le chauffage a été verrouillé.	Consulter la section « Mode d'emploi ».
	La température de la pièce est plus élevée que le réglage de l'appareil (s'il est réglé sur la température ambiante).	Réinitialiser le réglage de température.
	L'appareil a surchauffé et l'interrupteur thermique de sécurité s'est déclenché.	Débrancher le câble d'alimentation ou éteindre le disjoncteur. Laisser l'appareil refroidir pendant 15 minutes.
	Les raccordements câblés sont incorrects (le cas échéant).	Consultez la section « Installation de raccordements câblés ».
	Problème de chauffage.	Inspecter la soufflerie et le chauffage, et remplacer si nécessaire.
Le chauffage s'éteint automatiquement.	La température de la pièce est trop élevée.	Le chauffage possède un thermostat intégré, il s'éteint donc automatiquement une fois la température pré-réglée atteinte. Il se met également en marche automatiquement si la température de la pièce descend en dessous de la température pré-réglée.
Flamme faible ou inexistante.	L'intensité lumineuse de la flamme n'est pas sélectionnée.	Consulter la section « Mode d'emploi ».
	Problème de l'éclairage LED de la flamme.	Inspecter la lampe LED et remplacer si nécessaire.
	Problème au niveau du circuit imprimé principal.	Inspecter le circuit imprimé principal et remplacer si nécessaire.
La flamme bouge pas.	Le moteur est bloqué/défaillant.	Éteindre et rallumer plusieurs fois. Si le problème persiste, contacter le détaillant.
Le lit de braises ne s'illumine pas.	L'intensité lumineuse n'est pas sélectionnée.	Consulter la section « Mode d'emploi ».
	Problème de l'éclairage LED des braises.	Inspecter les lampes LED du lit de braises et remplacer si nécessaire.
	Problème au niveau du circuit imprimé principal.	Inspecter le circuit imprimé principal et remplacer si nécessaire.

Les appareils électriques Napoleon sont fabriqués dans le respect de la norme mondialement reconnue ISO 9001:2015 sur les systèmes de gestion de la qualité.

Les produits Napoleon sont fabriqués à partir de composants et de matériaux de qualité supérieure. Ils sont assemblés par des artisans expérimentés, qui sont fiers de leur travail. Une fois assemblé et avant d'être emballé, l'appareil est minutieusement inspecté par un installateur, une agence de service ou un fournisseur qualifié(e) et agréé(e) pour s'assurer que le client reçoive le niveau de qualité qu'il attendait de la part de son produit **Napoleon**.

Garantie limitée des appareils électriques Napoleon

Les composants électriques et les pièces d'usure sont couverts : **Napoleon** fournira gratuitement les pièces de rechange au cours des 2 premières années de la garantie limitée. Cela s'applique aux : ventilateurs/éléments chauffants, moteurs, interrupteurs, composants de nylon, télécommandes et lampes LED.*

Les ampoules et les fusibles **NE SONT PAS** couverts par la garantie.

Toute main-d'œuvre liée à une réparation sous garantie n'est pas couverte.

* La fabrication des modèles varie. La garantie ne s'applique qu'aux composants inclus dans votre appareil spécifique.

Conditions et restrictions

Napoleon garantit ses produits contre tout défaut de fabrication uniquement à son client d'origine. Il n'est pas nécessaire d'enregistrer votre garantie. Il vous suffit de fournir une preuve d'achat, ainsi que le modèle et le numéro de série pour faire une réclamation sous garantie. Si l'achat a été effectué auprès d'un détaillant **Napoleon** agréé, votre appareil est soumis aux conditions et restrictions suivantes :

La couverture de la garantie commence à la date de la première installation.

Cette garantie constructeur n'est pas cessible et ne peut pas être prolongée, de quelque manière que ce soit, par l'un de nos représentants.

L'installation doit être réalisée conformément aux instructions d'installation fournies avec le produit, ainsi qu'à tous les codes régionaux et nationaux de construction et des incendies.

Cette garantie limitée ne couvre pas les dommages résultant d'une mauvaise utilisation, d'un manque d'entretien, d'un accident, d'altérations, d'abus ou de négligence. Si des pièces sont installées par d'autres fabricants, cette garantie devient nulle.

Cette garantie limitée ne couvre pas non plus les rayures, les bosselures, la corrosion ou la décoloration résultant d'une chaleur excessive, de nettoyants chimiques et abrasifs, ni les éclats sur les pièces en émail vitrifié ou toute faille mécanique des bûches PHAZER™.

Au cours des deux premières années seulement, cette garantie s'étend à la réparation ou au remplacement de pièces sous garantie qui s'avèrent être défectueuses en termes de matériaux ou de fabrication, sous réserve que le produit ait été utilisé conformément aux instructions d'utilisation et dans des conditions normales.

Napoleon n'est pas responsable de l'installation, de la main-d'œuvre ou de toute autre dépense liée à la réinstallation d'une pièce sous garantie. De telles dépenses ne sont pas couvertes par la garantie. Nonobstant toute disposition prévue dans la garantie limitée, la responsabilité de **Napoleon** au titre de cette garantie est définie comme ci-dessus, et elle ne peut s'appliquer en aucune façon à des dommages accessoires, immatériels ou indirects.

Cette garantie définit les obligations et la responsabilité de **Napoleon** à l'égard de l'appareil électrique **Napoleon** et de toute autre garantie formelle ou tacite vis-à-vis de ce produit ; ses composants ou accessoires sont exclus.

Napoleon n'assume aucune autre obligation et n'autorise aucun tiers à assumer d'autres obligations en son nom au titre de la vente de ce produit.

Tout dégât causé à l'appareil, à la garniture en laiton ou à d'autres composants par de l'eau, des intempéries, de longues périodes d'humidité, de la condensation, des produits chimiques ou des nettoyants n'est pas de la responsabilité de **Napoleon**.

Napoleon se réserve le droit de demander à l'un de ses représentants d'inspecter un produit ou une pièce du produit avant d'honorer une demande de garantie.

Toutes les pièces remplacées sous la politique de garantie limitée doivent faire l'objet d'une seule réclamation.

Toutes les pièces remplacées sous la garantie sont couvertes pendant 90 jours à compter de la date de leur installation.

Le fabricant peut exiger que les pièces ou les produits défectueux soient renvoyés, ou que des photos numériques soient fournies lors de la réclamation. Les produits retournés doivent être expédiés port payé au fabricant pour enquête. S'il s'avère qu'un produit est défectueux, le fabricant assurera la réparation ou le remplacement du produit.

Avant d'expédier votre appareil ou ses composants défectueux, votre détaillant doit obtenir un numéro d'autorisation. Toute marchandise expédiée sans autorisation sera refusée et retournée à l'expéditeur.

Les frais de livraison ne sont pas couverts par cette garantie.

Des frais de service supplémentaires peuvent s'appliquer si vous utilisez le service de garantie d'un détaillant.

Toutes les caractéristiques et les designs peuvent varier sans préavis en raison d'améliorations continues des produits. **Napoleon** est une marque déposée de Wolf Steel Ltd.

NAPOLÉON EST FIER D'AMÉLIORER LE CONFORT DE VOTRE MAISON DEPUIS PLUS DE 40 ANS



WEEE :



Signification du logo de poubelle barrée:

Ne pas jeter les appareils électriques dans les ordures ménagères non sujettes au tri sélectif. Utiliser des points de collecte adaptés. Contacter la collectivité locale pour connaître les modalités de tri sélectif. Si les appareils électriques sont jetés dans une décharge non surveillée, des substances toxiques peuvent s'infiltrer dans le sol, atteindre les nappes phréatiques et contaminer la chaîne alimentaire, menaçant alors la santé humaine.

Lors de l'achat d'un nouvel appareil, le vendeur est tenu de reprendre gratuitement l'ancien et de se charger lui-même du dépôt en déchetterie.



7200, Route Transcanadienne, Montréal, Québec H4T 1A3
24 Napoleon Road, Barrie, Ontario, Canada L4M 0G8
214 Bayview Drive, Barrie, Ontario, Canada L4N 4Y8
103 Miller Drive, Crittenden, Kentucky, États-Unis 41030
De Riemsdijk 22, 4004 LC Tiel, Pays-Bas
napoleon.com