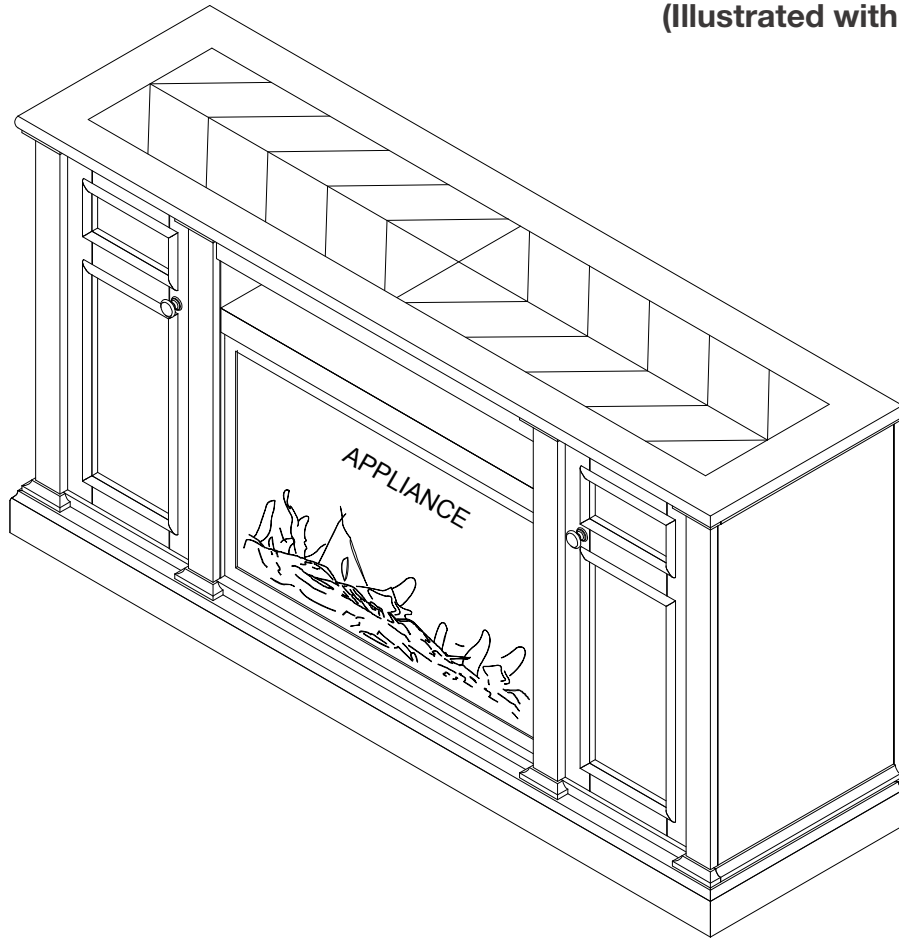




INSTALLATION AND OPERATION MANUAL

Electric Fireplace Media Console

(Illustrated with firebox assembled)



FOR INDOOR USE ONLY

INSTALLER:

Leave this manual with the appliance

CONSUMER:

Retain this manual for future reference



Wolf Steel Ltd., 24 Napoleon Rd., Barrie, ON, L4M 0G8 Canada / 103 Miller Drive, Crittenden, Kentucky, USA, 41030
Phone 1 (866) 820-8686 • www.napoleon.com • hearth@napoleon.com

table of contents

1.0	general information	2
2.0	overview	2
2.1	media console components	2
2.2	hardware list	3
2.3	wall mounting kit	4
3.0	assembly	5
3.1	anchoring the media console	16
3.2	care and maintenance	16
4.0	warranty	17

note:

The information throughout this manual is believed to be correct at the time of printing. Wolf Steel Ltd. reserves the right to change or modify any information within this manual at any time without notice. Changes, other than editorial, are denoted by a vertical line in the margin.

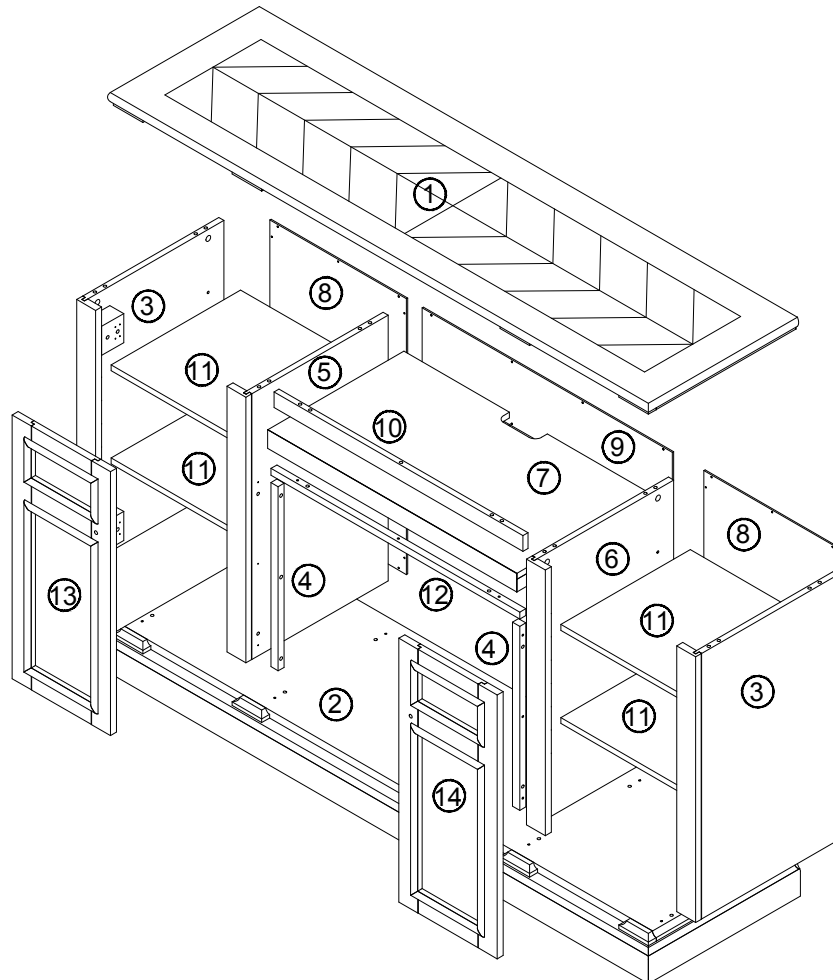
1.0 general information

This media console assembly is approved for use with electric appliances only. It is not approved for use as a stand alone product or in conjunction with any other appliance.

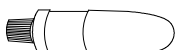

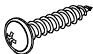
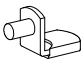


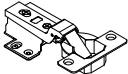

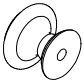
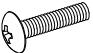


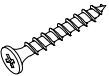
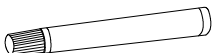
⚠ WARNING: This product can expose you to chemicals including lead and lead compounds, which are known to the State of California to cause cancer, and chemicals including BBP and DEHP, which are known to the State of California to cause birth defects or other reproductive harm. For more information, go to www.P65Warnings.ca.gov.


2.0 overview

2.1 media console components

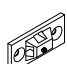


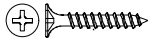



2.2 hardware list

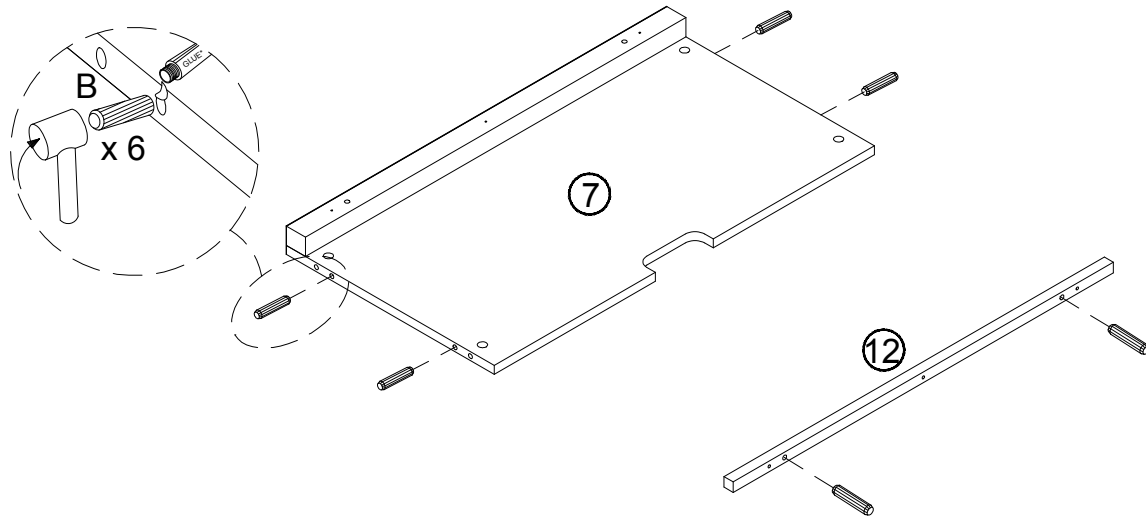
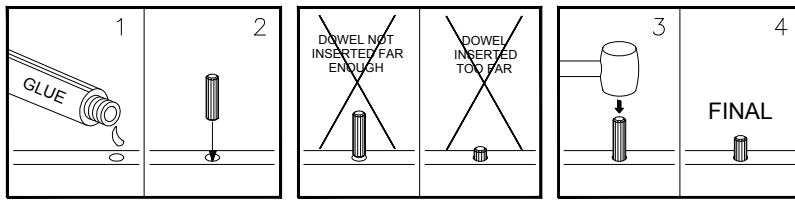
PART #	IMAGE	DESCRIPTION	QTY.
A		Glue	2
B		Wood dowel, 8 x 30 mm	28
C		Washer head screw, M3.5 x 16 mm	36
D		Shelf support	16
E		Cam lock	23
F		Cam bolt	23
G		Door hinge	4
H		Screw, M3.5 x 14 mm	24
I		Door Handle	2
J		Machine screw, M4 x 30 mm	2
K		Screw, M3 x 14 mm	2
L		Wall bracket	2
M		Screw, M4 x 30 mm	9
N		Touchup pen	1

PART #	IMAGE	DESCRIPTION	QTY.
O		Paper sticker	23

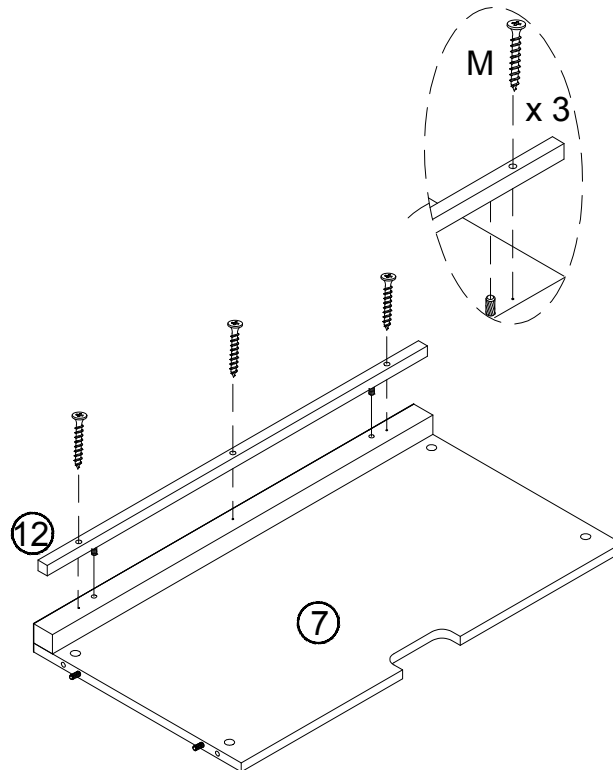
2.3 wall mounting kit

PART #	IMAGE	DESCRIPTION	QTY.
AA		Mounting bracket	2
AB		Anchor	2
AC		Nylon strap	1
AD		Flat head screw, Ø3 x 20 mm	2
AE		Flat head screw, Ø3 x 38 mm	2

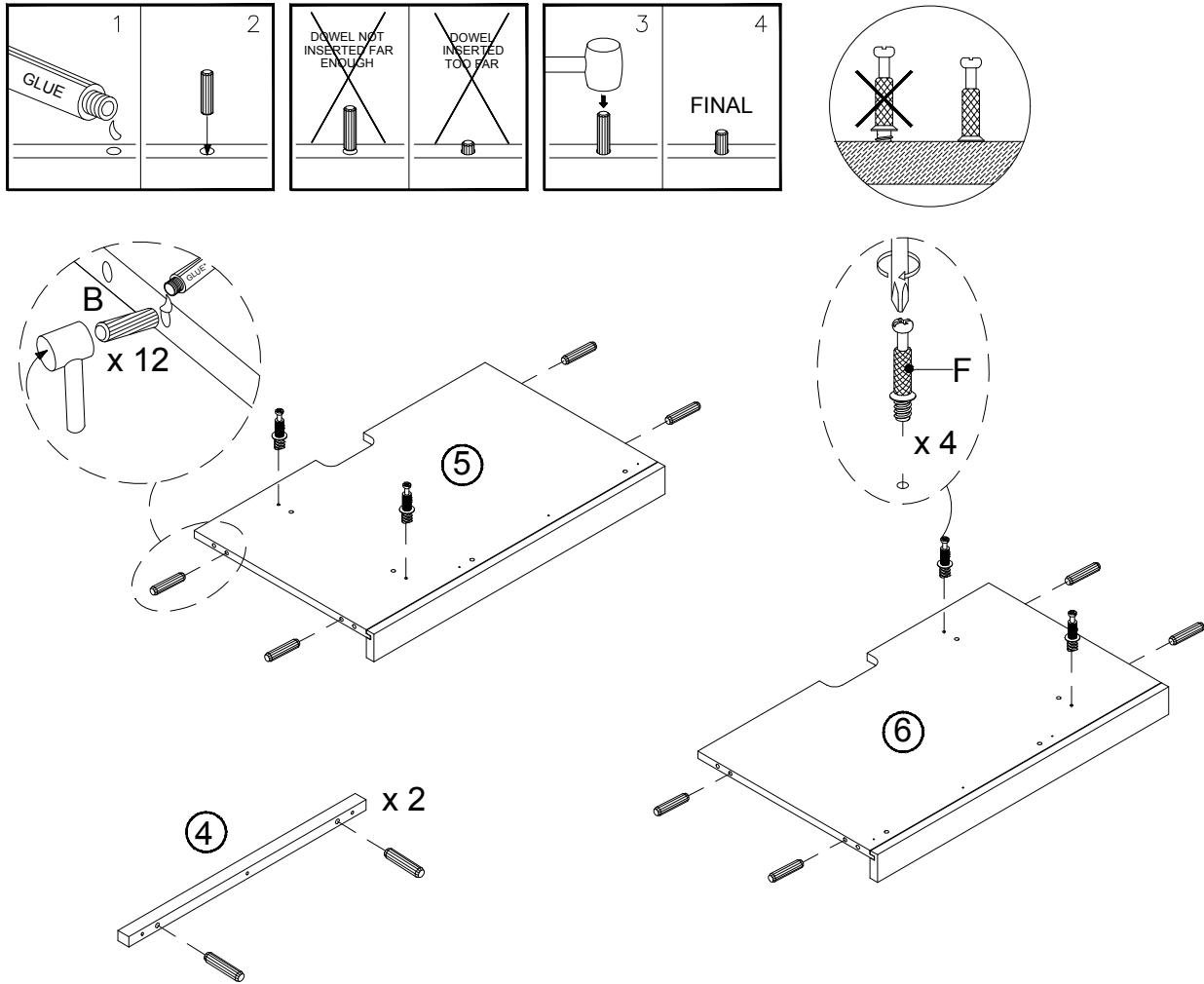
STEP 1



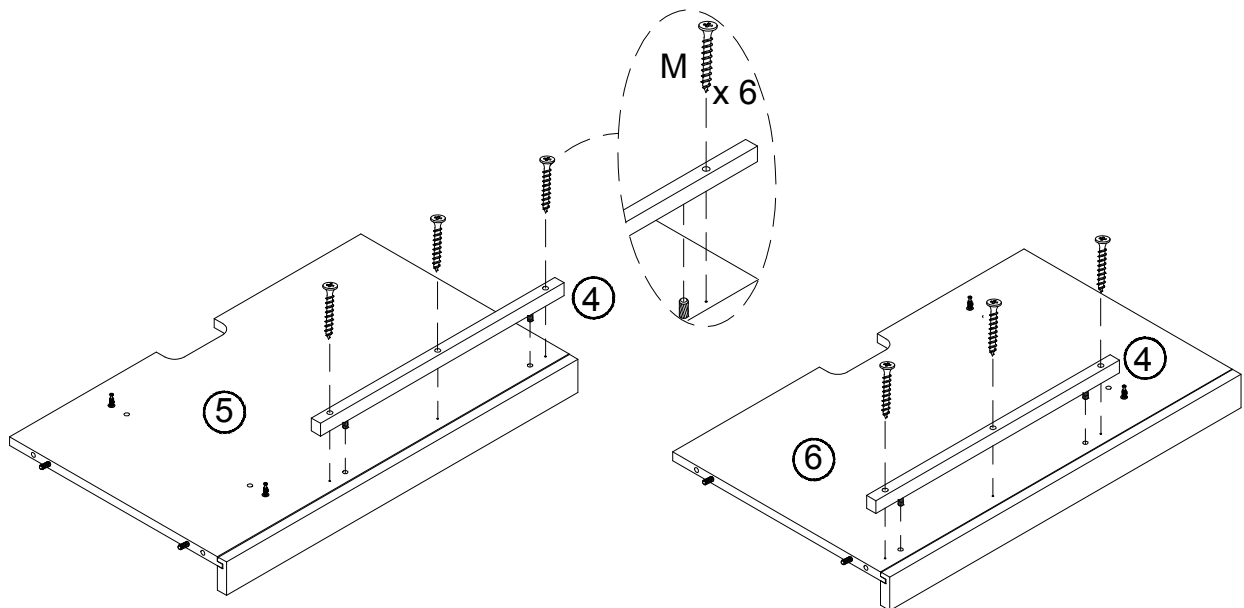
STEP 2



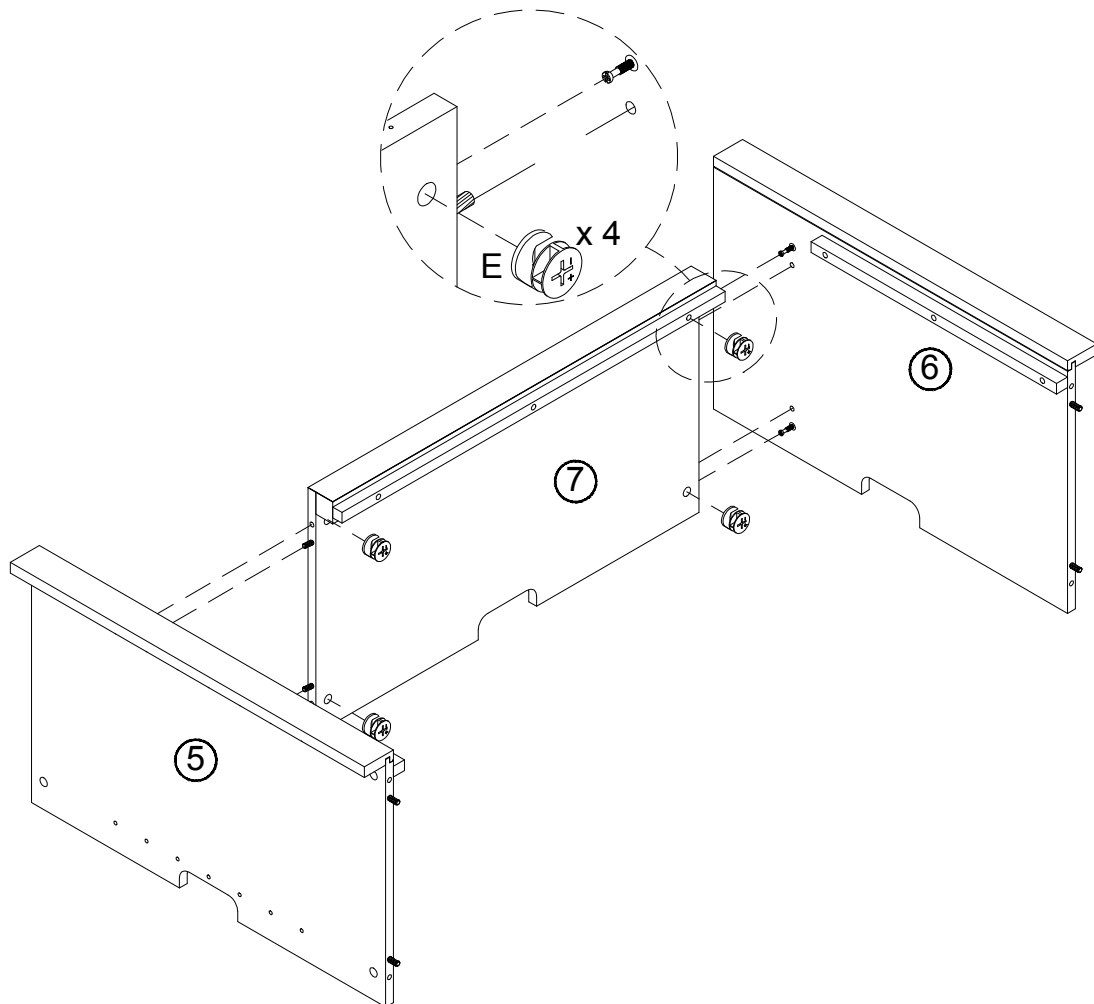
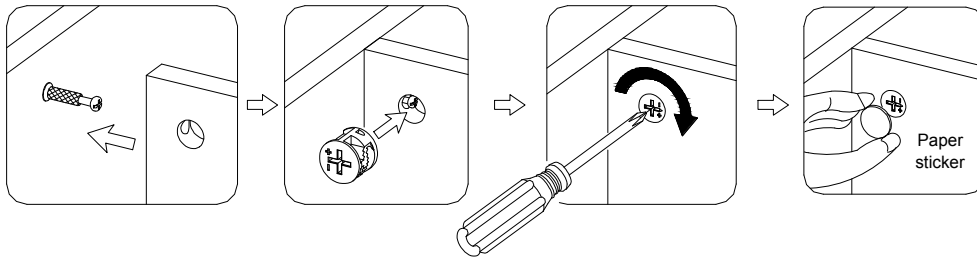
STEP 3



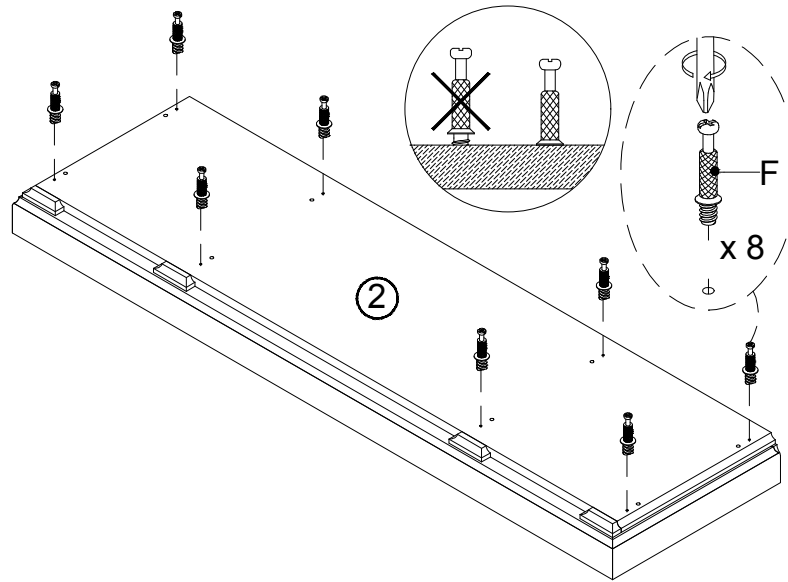
STEP 4



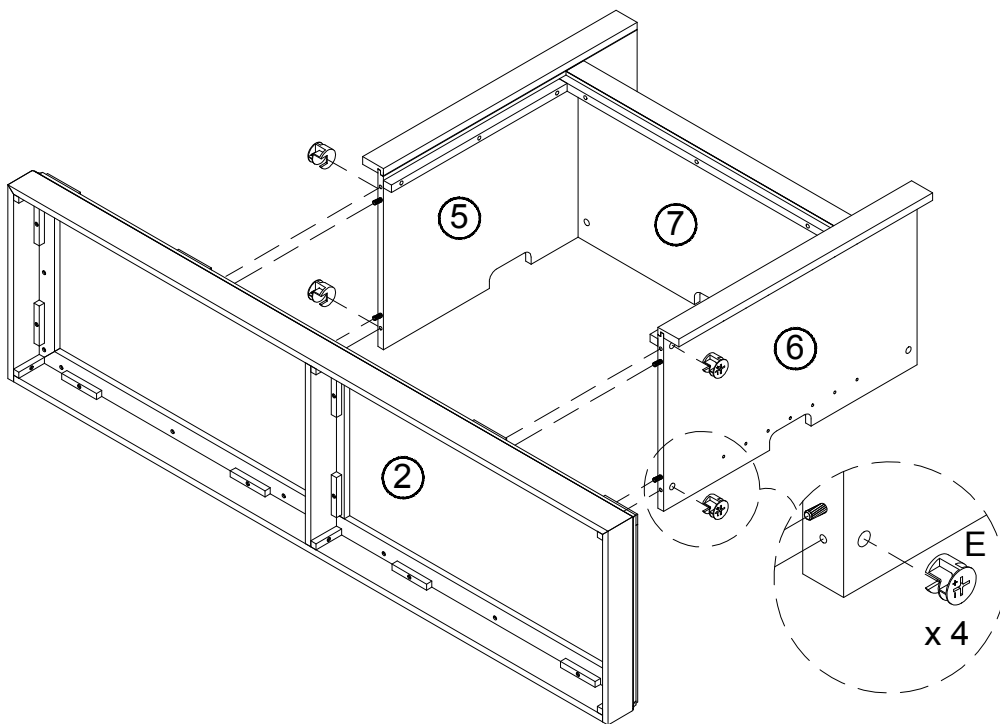
STEP 5



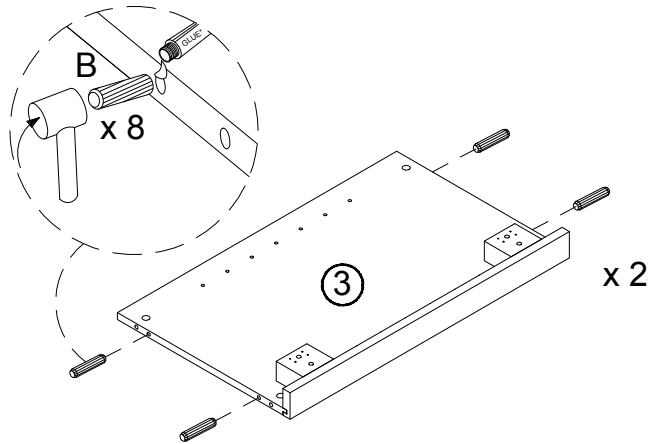
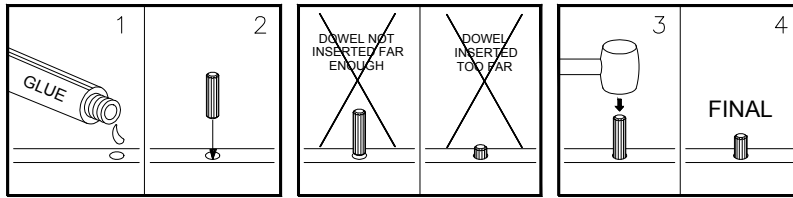
STEP 6



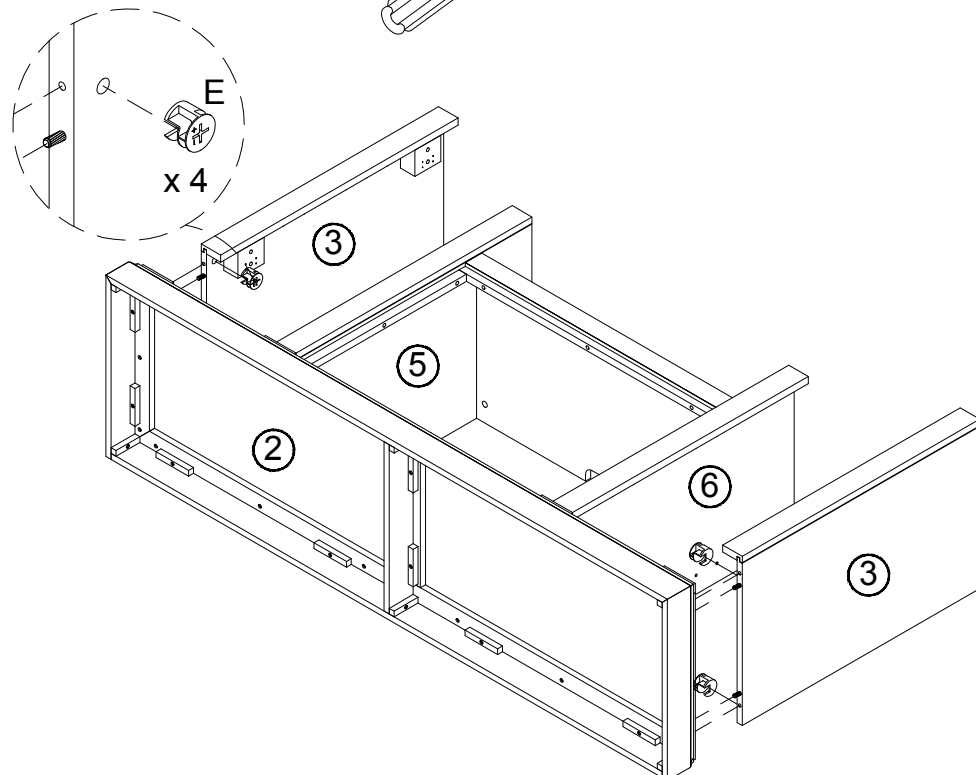
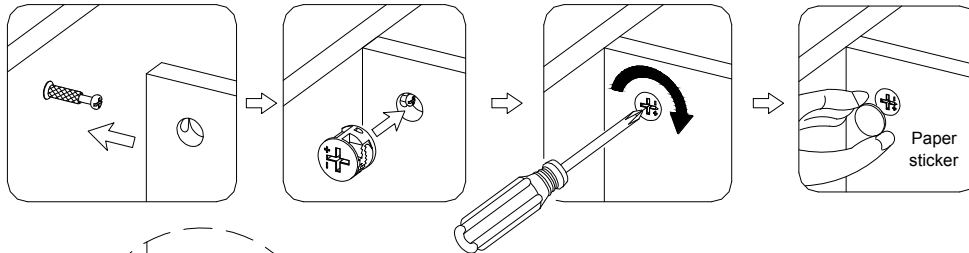
STEP 7



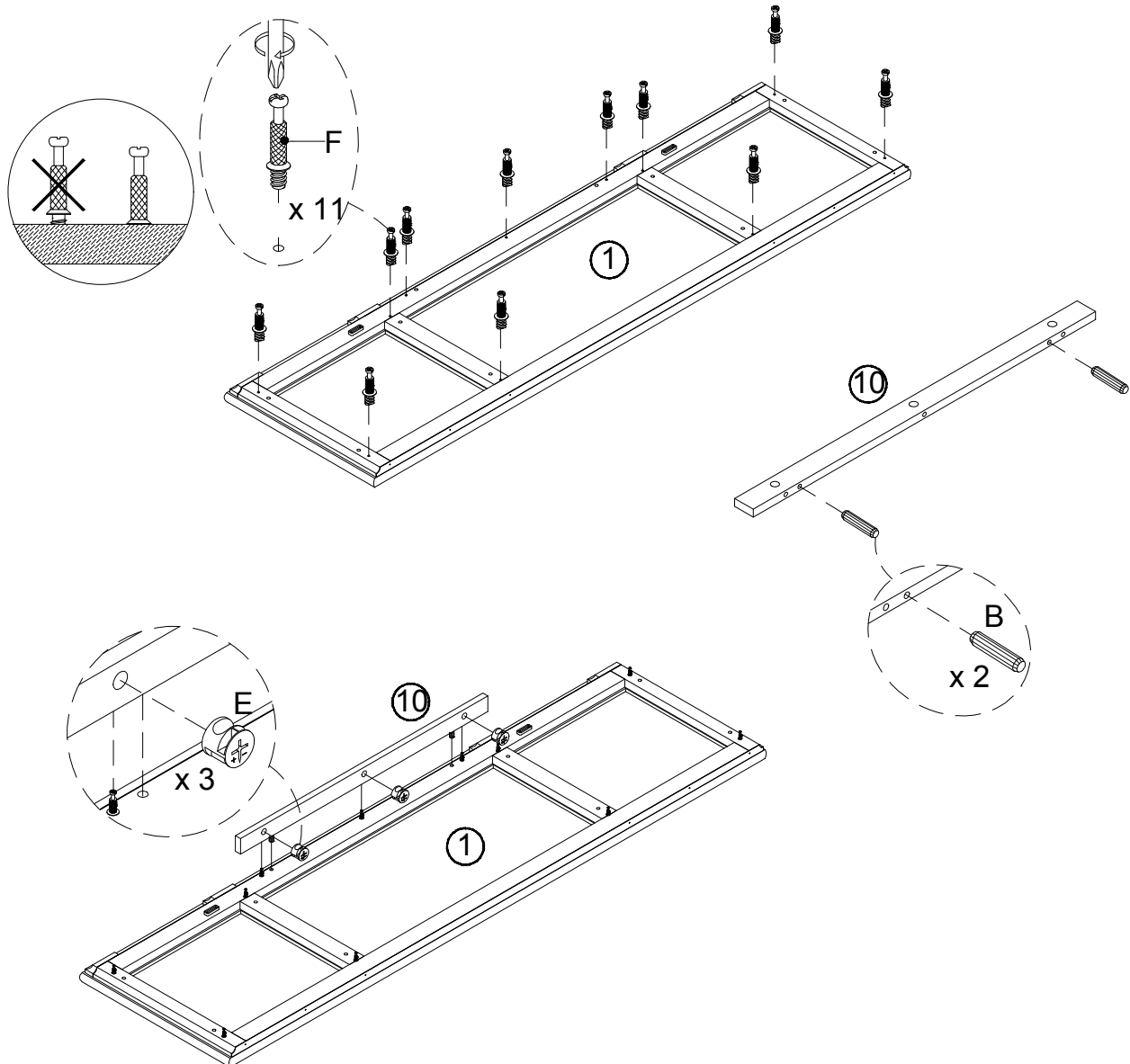
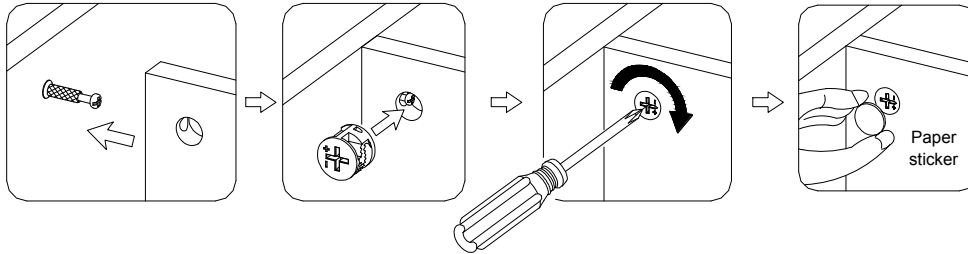
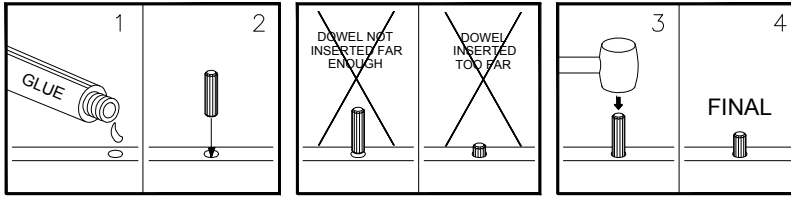
STEP 8



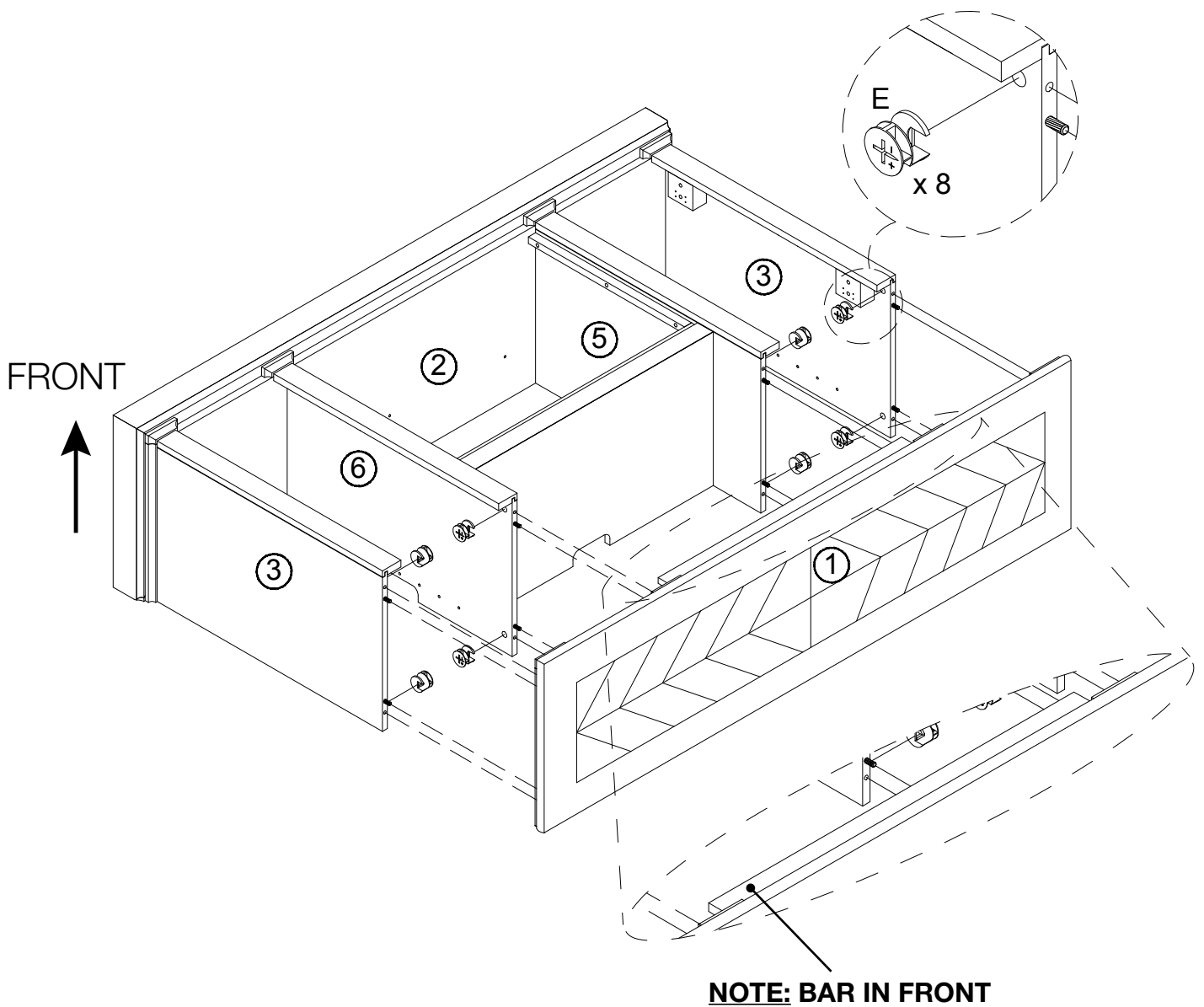
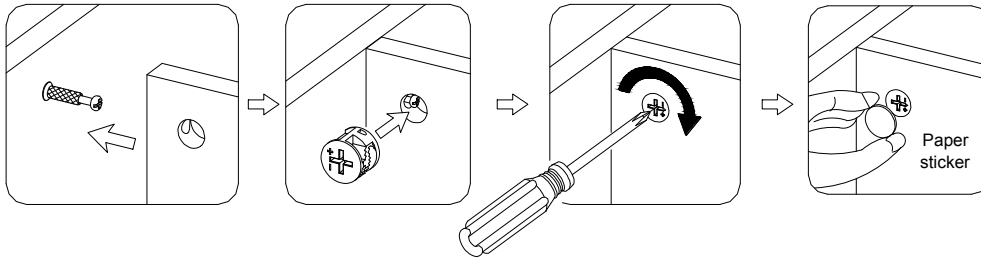
STEP 9



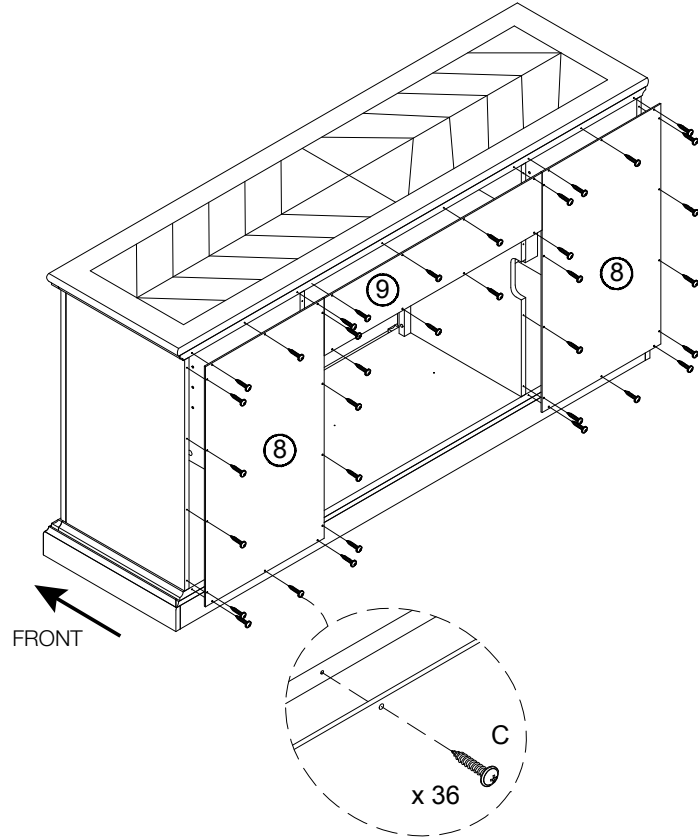
STEP 10



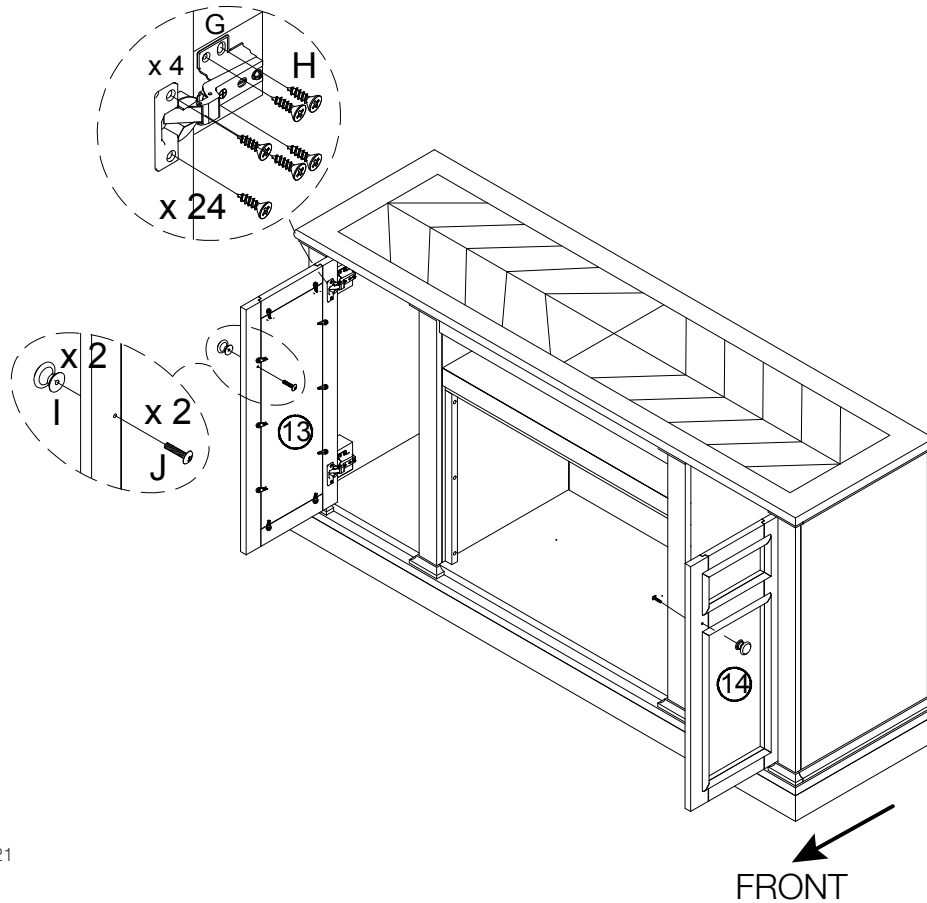
STEP 11



STEP 12



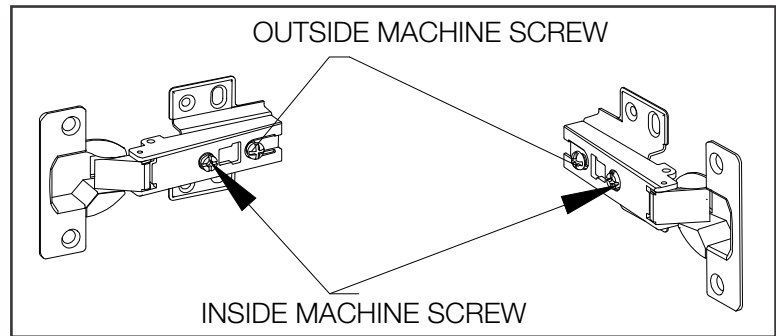
STEP 13



HINGE ADJUSTMENT SUPPLEMENT

In the event that the door does not align properly, the INSIDE machine screws located on the hinges are for adjusting slightly to the left or right. **DO NOT LOOSEN THE OUTSIDE MACHINE SCREW FOR ADJUSTMENT.**

1. To adjust the door toward the OUTSIDE of the unit, turn the inside machine screws to the LEFT, or COUNTERCLOCKWISE (**Fig. A**).
2. To adjust the door toward the INSIDE of the unit, turn the inside machine screws to the RIGHT, or CLOCKWISE (**Fig. B**).

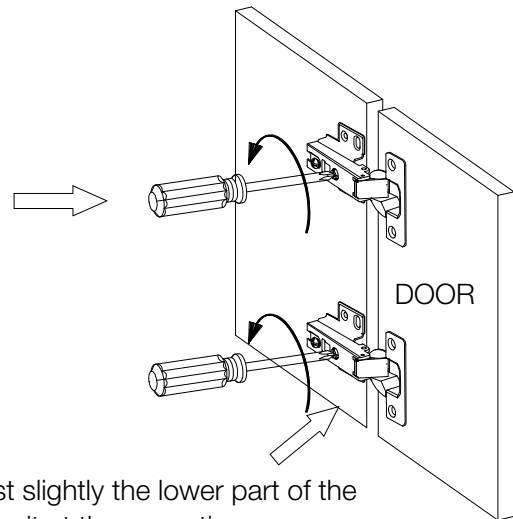
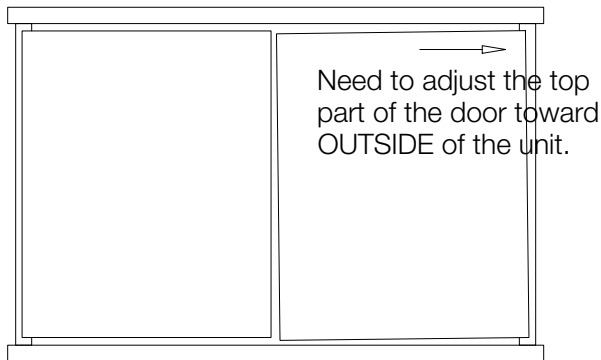


note:

Please be patient. It may take several minutes to adjust properly.

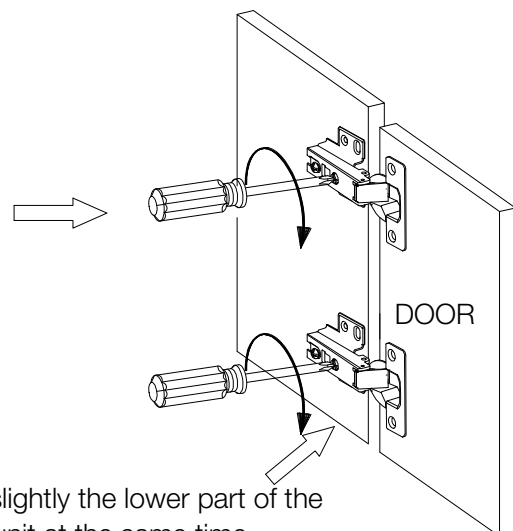
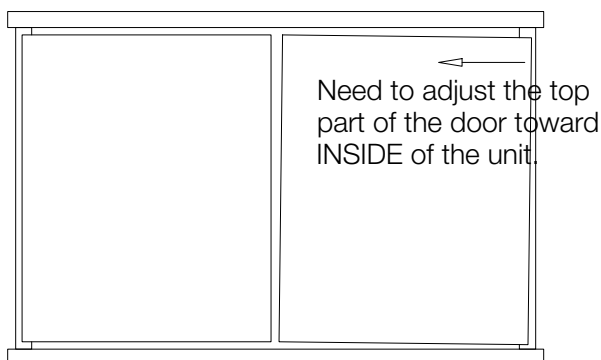
Only once the door is in the desired position, fully tighten the OUTSIDE machine screws. This will ensure that the door is secure.

Fig. A



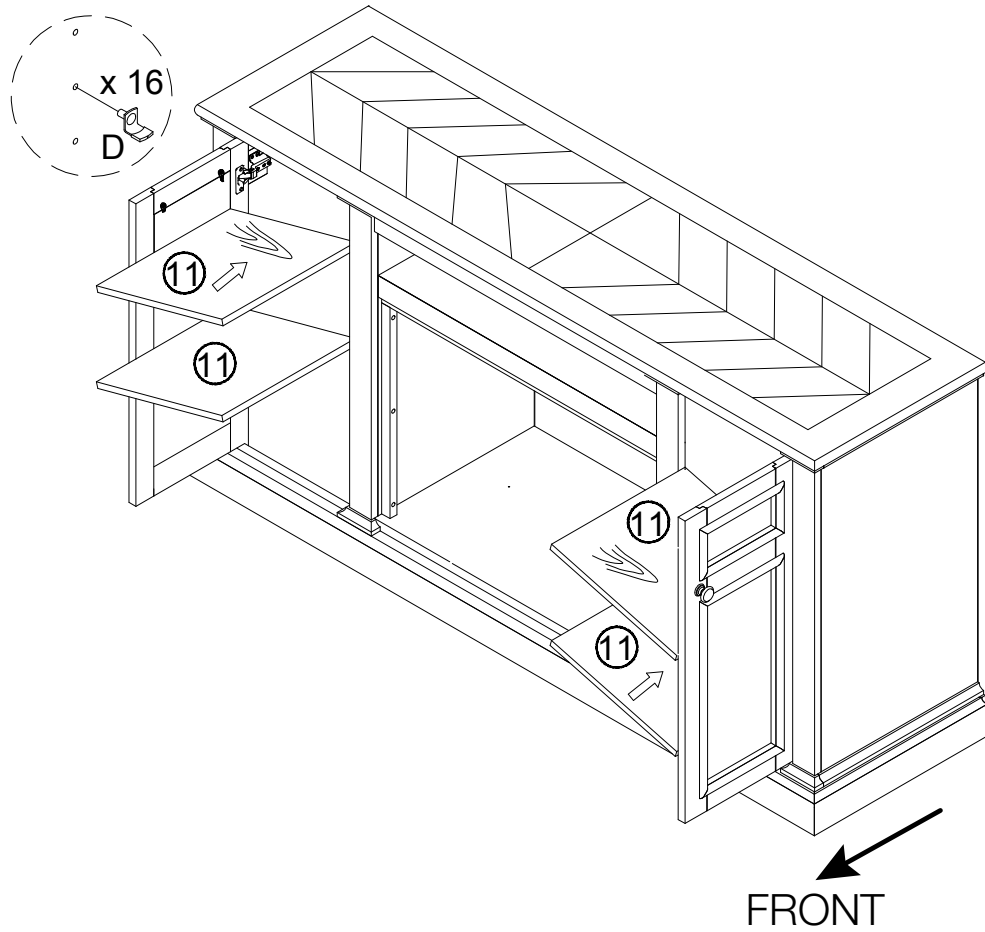
You may also need to adjust slightly the lower part of the door toward INSIDE of the unit at the same time.

Fig. B

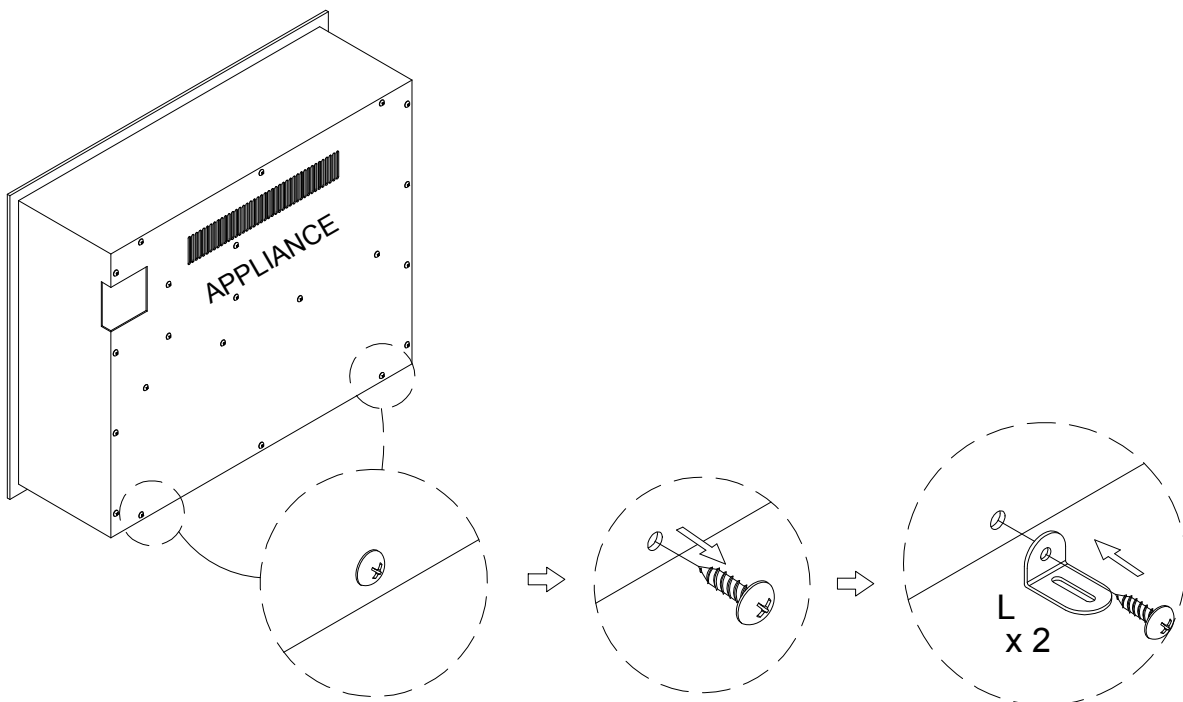


You may also need to adjust slightly the lower part of the door toward OUTSIDE of the unit at the same time.

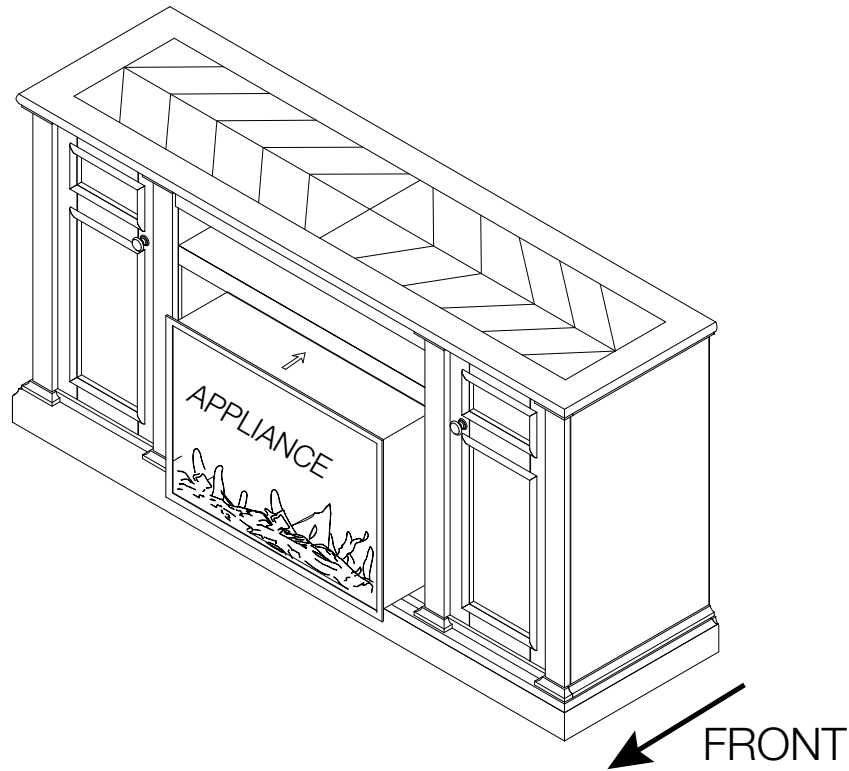
STEP 14



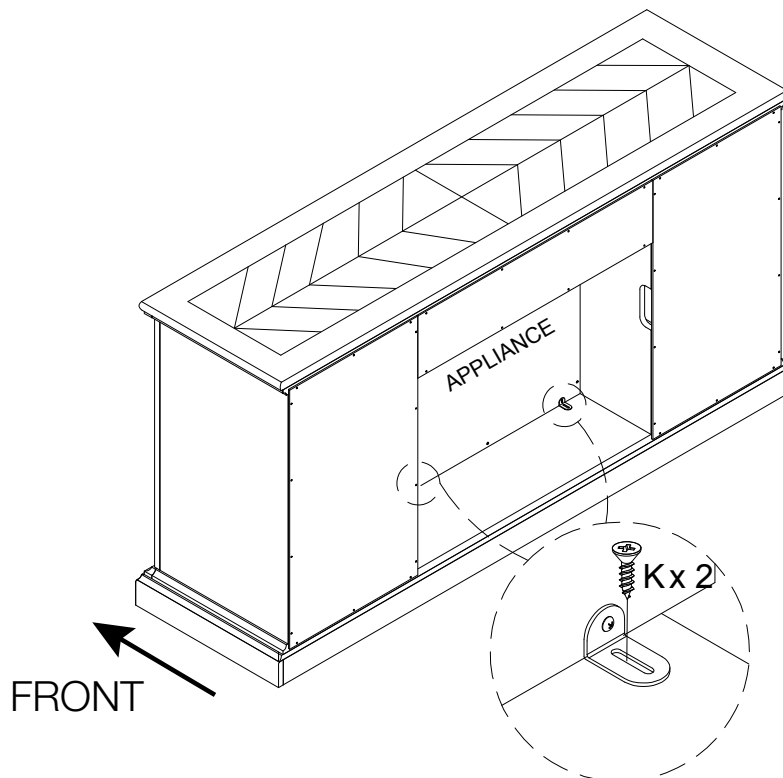
STEP 15



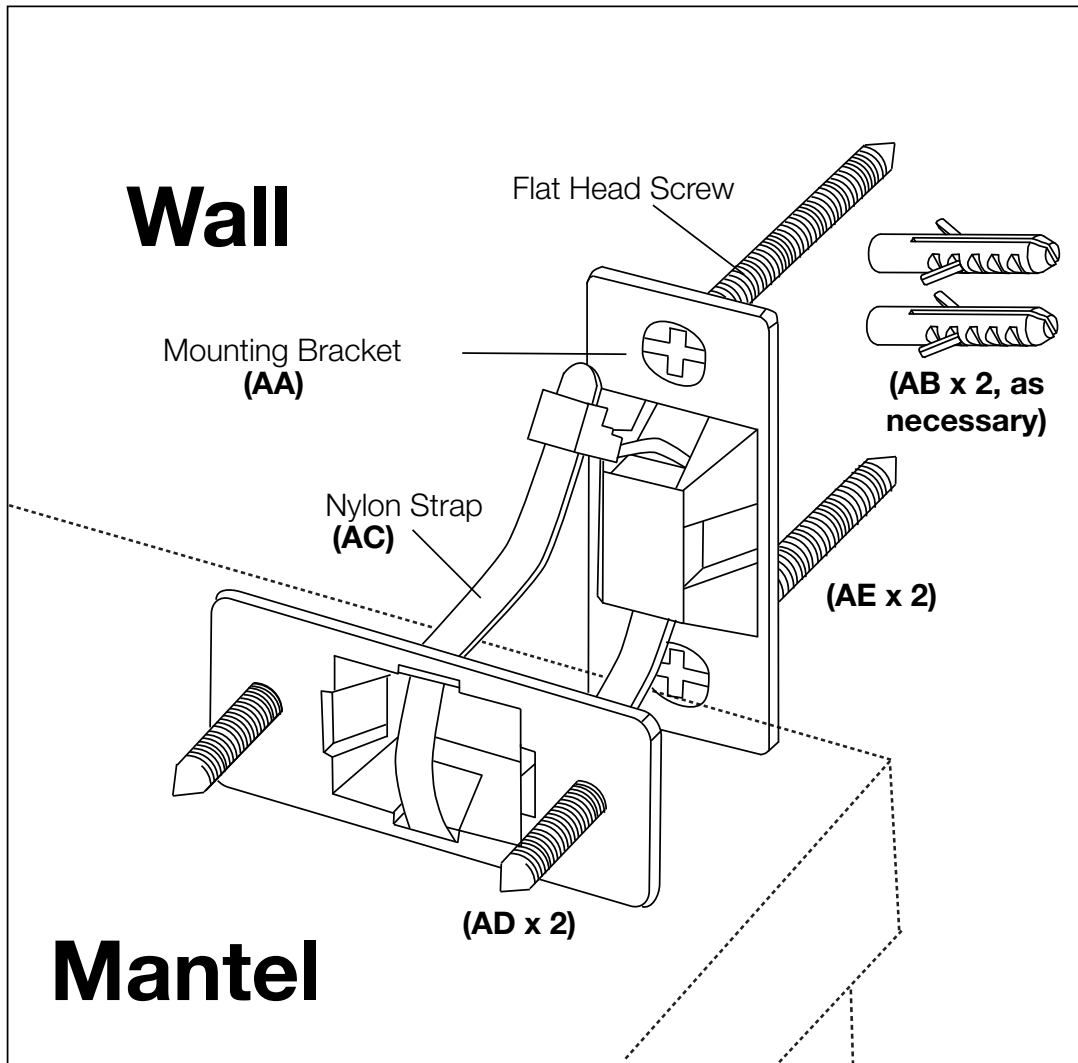
STEP 16



STEP 17



3.1 anchoring the media console



3.2 care and maintenance

! WARNING

- Do not use abrasive or chemical cleaners. Discolouring or damage to finish may result.

Clean media console with a non-abrasive cloth. Clean as often as necessary.

note:

Excessive sun exposure may cause discolouring or fading of media console finish.

Napoleon products are designed with superior components and materials. The complete wood furniture is thoroughly inspected before packing to ensure that you, the customer, receive the quality product that you expect from **Napoleon**.

Napoleon Wood Furniture Limited Warranty

Napoleon will provide replacement parts free of charge during the first 90 days of limited warranty.
Any labour related to warranty repair is not covered.
Warranty applies only to components included with your wood furniture.

Conditions and Limitations

Your wood furniture is constructed of the finest quality grade materials. However, because the nature of wood, you may notice variations in grain consistency; this is normal and will add to the uniqueness of your furniture.

Napoleon warrants its products against manufacturing defects to the original purchaser only. Registering your warranty is not necessary. Simply provide your proof of purchase along with the model and serial number to make a warranty claim. Provided that the purchase was made through an authorized **Napoleon** dealer your wood furniture is subject to the following conditions and limitations:

Warranty coverage begins on the date of original installation.

This factory warranty is non-transferable and may not be extended whatsoever by any of our representatives.

Installation must be done in accordance with the installation instructions included with the product and all local and national building and fire codes.

This limited warranty does not cover damages caused by misuse, lack of maintenance, accident, alterations, abuse, or neglect and parts installed from other manufacturers will nullify this warranty.

This limited warranty further does not cover any scratches, dents, discoloring caused by sun exposure, abrasive and chemical cleaners, nor chipping.

In the first 90 days only, this warranty extends to the repair or replacement of warranted parts which are defective in material or workmanship provided that the product has been assembled and operated in accordance with the operation instructions and under normal conditions.

Napoleon will not be responsible for installation, labour or any other expenses related to the reinstallation of a warranted part and such expenses are not covered by this warranty. Notwithstanding any provisions contained in the Limited Warranty, **Napoleon's** responsibility under this warranty is defined as above and it shall not in any event extend to any incidental, consequential, or indirect damages.

This warranty defines the obligations and liability of **Napoleon** with respect to the **Napoleon** wood furniture and any other warranties expressed or implied with respect to this product; its components or accessories are excluded.

Napoleon neither assumes, nor authorizes any third party to assume, on its behalf, any other liabilities with respect to the sale of this product.

Any damages to the furniture, glass or other component due to water, weather damage, cracking, long periods of dampness, condensation, damaging chemicals, or cleaners will not be the responsibility of **Napoleon**.

Napoleon reserves the right to have its representative inspect any product or part thereof prior to honouring any warranty claim.

All parts replaced under the Limited Warranty Policy are subject to a single claim.

All parts replaced under the warranty will be covered for a period of 90 days from the date of their installation.

The manufacturer may require that defective parts or products be returned or that digital pictures be provided to support the claim. Returned products are to be shipped prepaid to the manufacturer for investigation. If a product is found with a defect, the manufacturer will repair or replace such defect.

Before shipping defective components, your dealer must obtain an authorization number. Any merchandise shipped without authorization will be refused and returned to sender.

Shipping costs are not covered under this warranty.

Additional service fees may apply if you are seeking warranty service from a dealer.

All specifications and designed are subject to change without prior notice due to on-going product improvements. **Napoleon** is a registered trademark of Wolf Steel Ltd.

NAPOLEON CELEBRATING OVER 40 YEARS OF HOME COMFORT PRODUCTS



7200, Route Transcanadienne, Montréal, Québec H4T 1A3
24 Napoleon Road, Barrie, Ontario, Canada L4M 0G8
214 Bayview Drive, Barrie, Ontario, Canada L4N 4Y8
103 Miller Drive, Crittenden, Kentucky, USA 41030
De Riemsdijk 22, 4004 LC Tiel, The Netherlands

Phone: 1-866-820-8686
napoleon.com